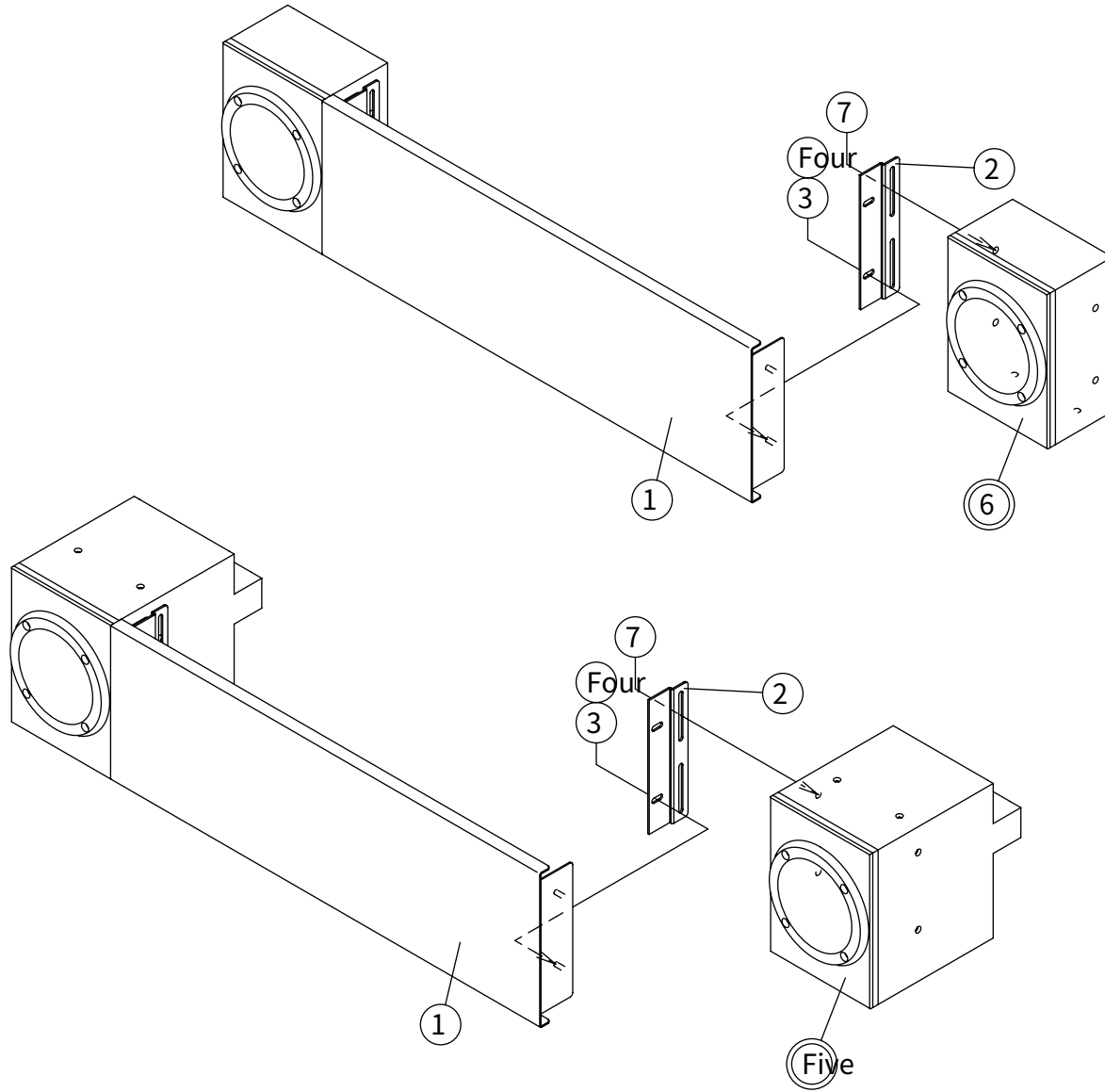


PARTS LIST

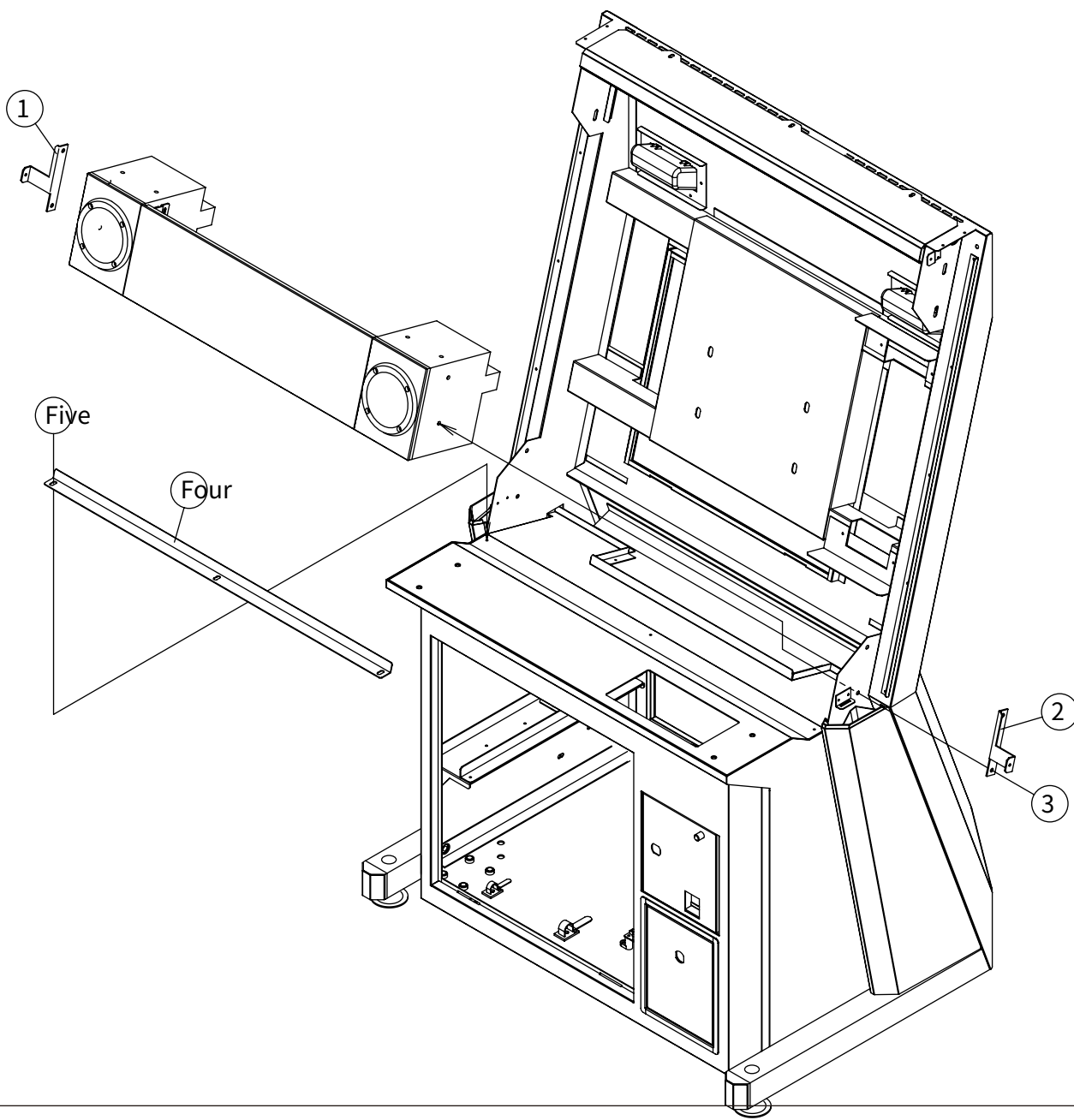
No.	PARTS No.	PARTS LIST	QTY
1	M0400183ACA	\$H BOX ASSY	1
2	M9008282AC	ENTRAL CONTROL ASSY	1
3		FLANGE NUT- (Trivalent) M3	2
4	M0500421A	REJECTOR DOOR ASSY	1
5		BIND HD SCREW- (Trivalent)	2
6		M3X8 PETTEPLE JFW-5 (SD10)	1
7	L9006465A	REJECTOR HARNESS	1
8			
9			
10			
11			
12			
13			
14			
15			
16			
17			
18			
19			
20			
21			
22			
23			
	L9005618A	VIDEO CABLE-(L = 1500) C0700363P	1
		AC CORD-(WITH VL CONNECTOR)-(ROHS)	1



PARTS LIST

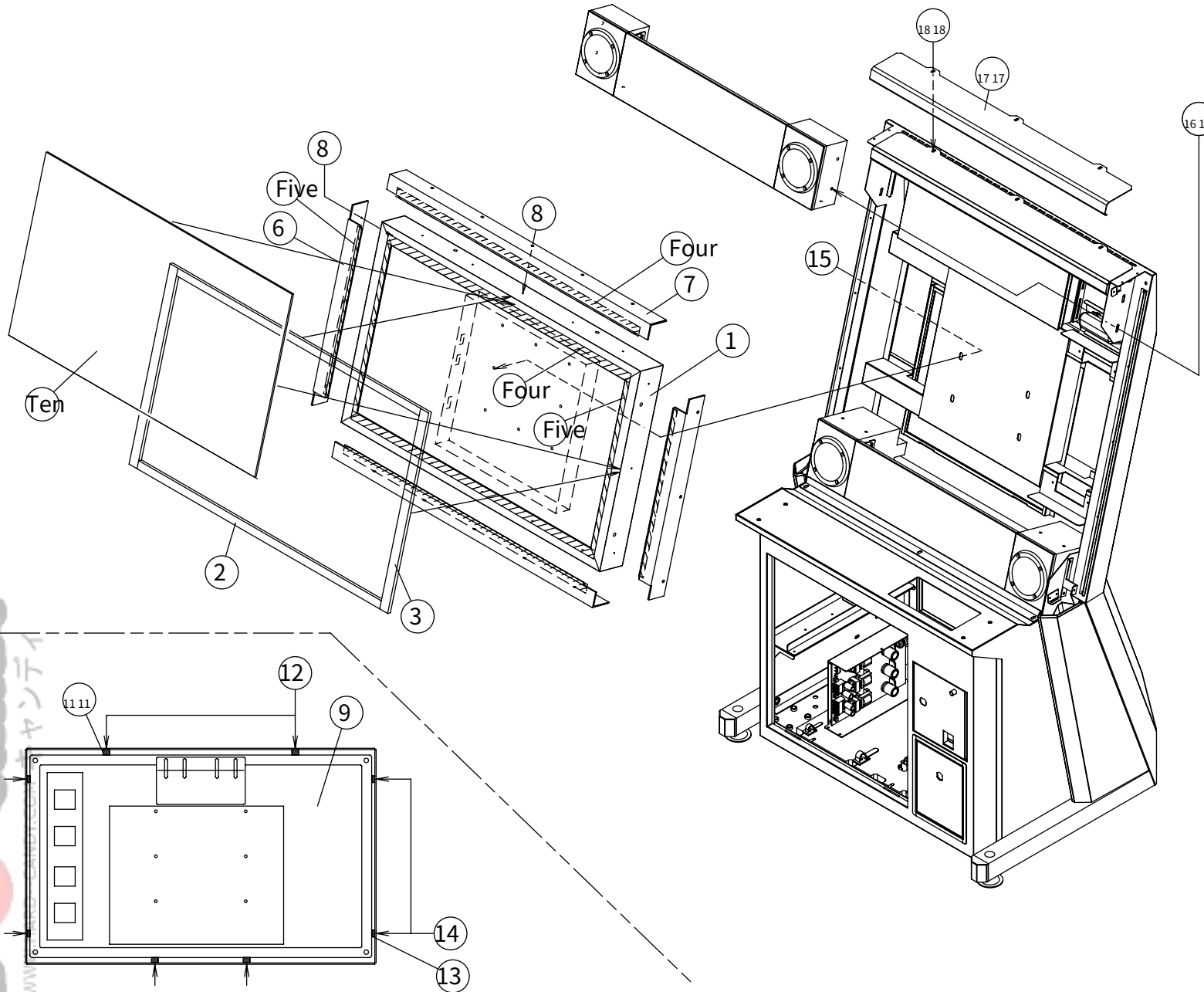
No.	PARTS No.	PARTS LIST	QTY
1	E3102137B	SPACE PLATE BASE E3018369A	2
2		SPACE PLATE BRACKET	Four
3		PLAIN WASHER- (Trivalent) 4	8
4		SELF LOCKING NUT-U-	8
5	(Trivalent) M4	M9007771ASPEAKER BOX ASSY	2
6	M9008283AUP	PER SPEAKER BOX ASSY	2
7		WING BOLT- (Trivalent) M4X16	8
8			
9			
10			
11			
12			
13			
14			
15			
16			
17			
18			
19			
20			
21			
22			
23			
24			
25			

CAB



PARTS LIST

No.	PARTS No.	PARTS LIST	QTY
1	E3018359A	MIDDLE COVER SUPPORT-L	1
2	E3018360A	MIDDLE COVER SUPPORT-R	1
3		PAN HD SEMUTH SCREW-W- (Trivalent)	Four
4	E3102129A	M4X18 FRONT STOPPER- (LOWER)	1
5		TRUSS HD SCREW- (Trivalent BLACK) M4X8	3
6			
7			
8			
9			
10			
11			
12			
13			
14			
15			
16			
17			
18			
19			
20			
21			
22			
23			
24			
25			

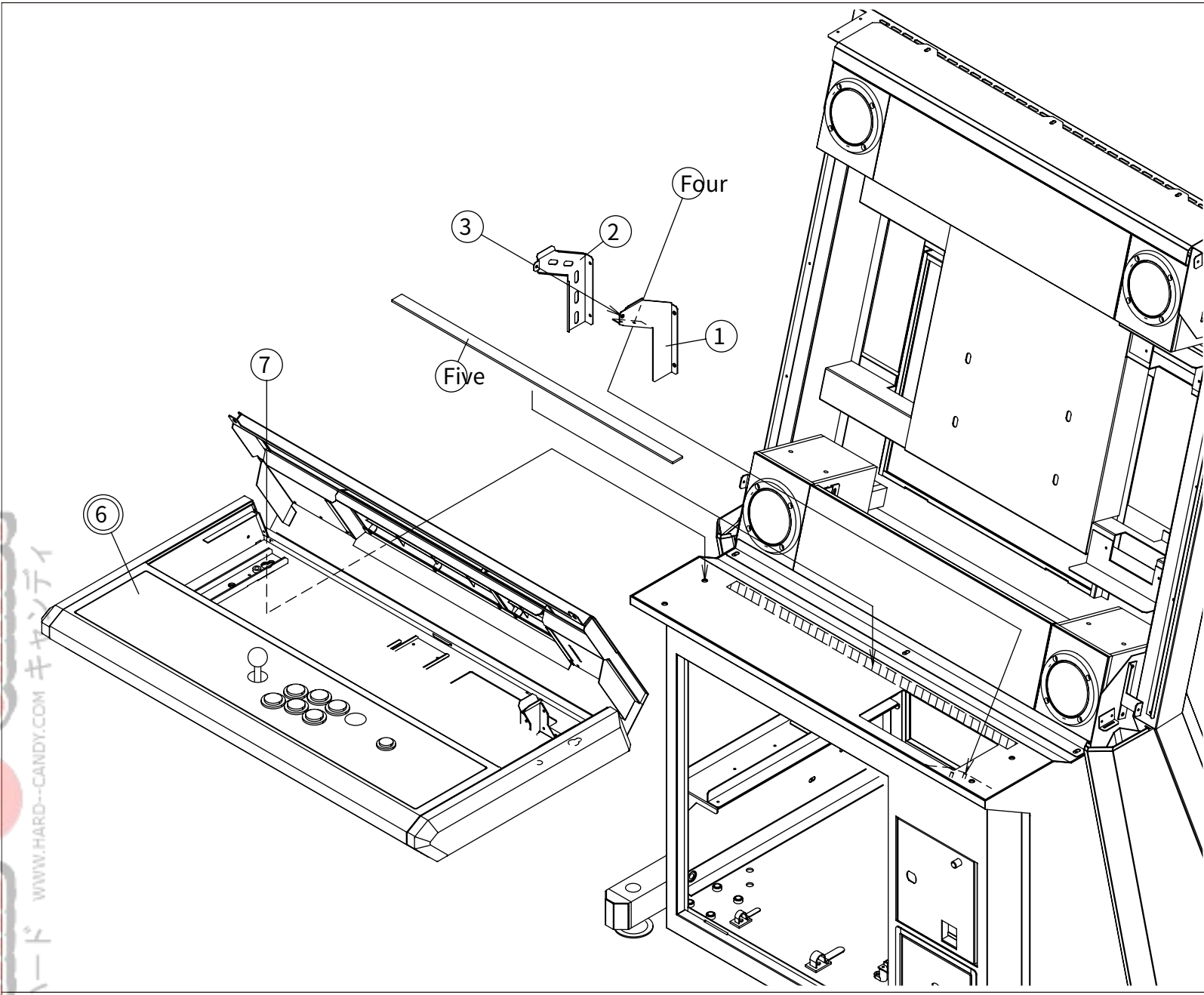


PARTS LIST

No.	PARTS No.	PARTS LIST	QTY
1	E3103021A	LCD FRAME	1
2	F9008246B	LCD SPACER PLATE-L F9008247B LCD	2
3		SPACER PLATE-S F9008250B RUBBER PLATE	2
4	720X20X0.5 F9008251B	RUBBER PLATE	Four
5	397X10X0.5 E9100083A	LCD MASK-S	Four
6			2
7	E9100082A	LCD MASK-L	2
8		C SINK HD SCREW- (Trivalent BLACK) M3X8	16 16
9	M1100099ALCD ASSY- (32INCH WIDE)-(ROHS) P32L050 /		1
10	AX080B077H H1005095A	LCD GLASS- (WITH AG COATING)	1
11	720X437X4.0 E1004572A	LCD SPACER-L ZB /	Four
12		C SINK HD SCREW- (Trivalent)	Four
13	M4X18 E1004573A	LCD SPACER-S ZB /	Four
14		C SINK HD SCREW- (Trivalent) M4X14	Four
15		SEMUTH UPSET BOLT-W- (Trivalent) M6X10	Four
16		PAN HD SEMUTH SCREW-W- (Trivalent)	Four
17	E3102130A	M4X18 FRONT STOPPER-(UPPER)	1
18		TRUSS HD SCREW- (Trivalent BLACK) M4X8	3
19			
20			
21			
22			
23			
24			
25			

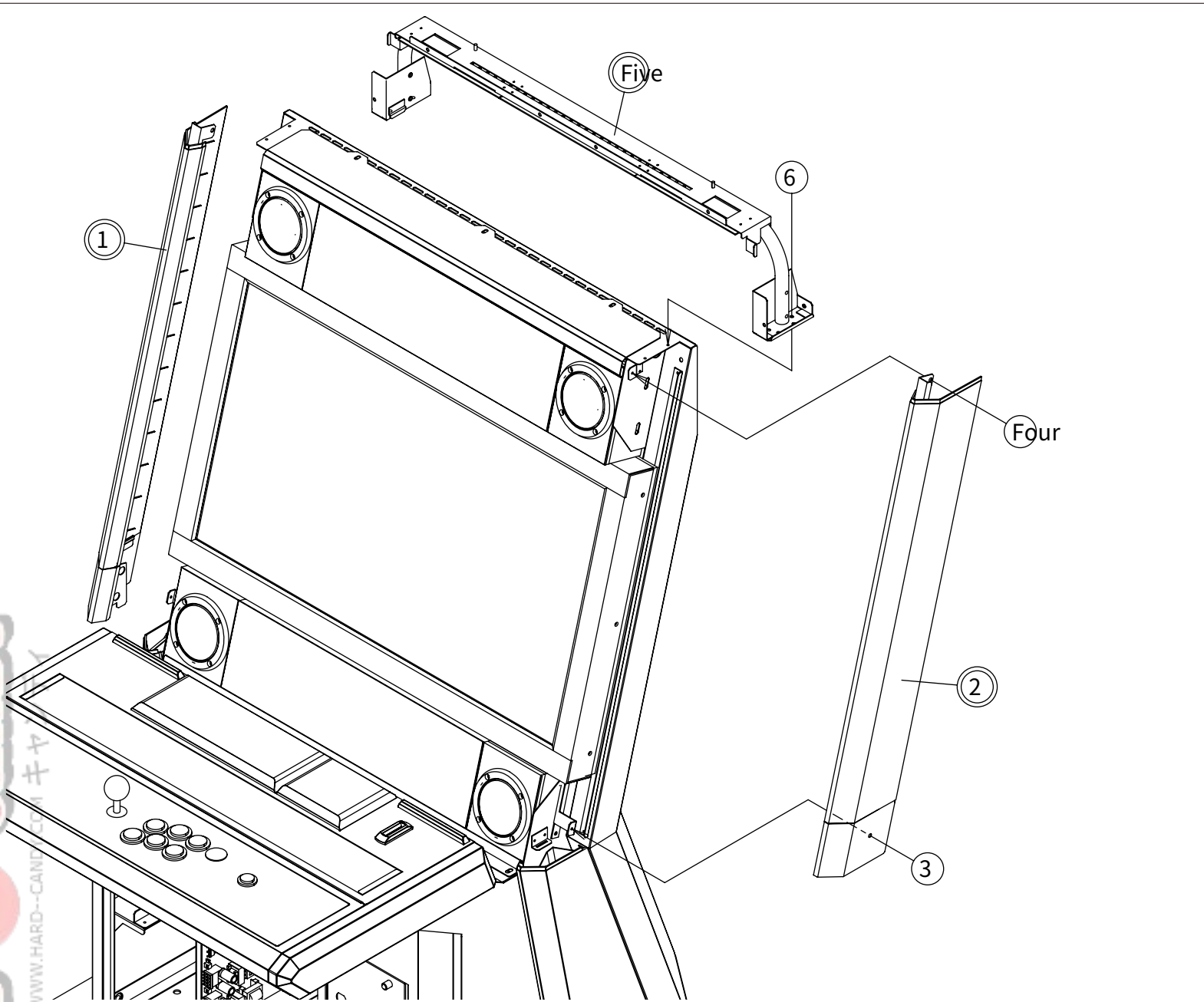
CAB

HARD CANDY
 ハードキャンディ



PARTS LIST

No.	PARTS No.	PARTS LIST	QTY
1	E3018346C	COIN CHUTE-A	1
2	E3018347B	COIN CHUTE-B	1
3		PAN HD SEMUTH SCREW-W- (Trivalent)	3
4		M3X8 FLANGE NUT- (Trivalent) M4	2
5	F9007139A	SPONGE 560X20X3 M0315336A	1
6		CONTROL PANEL ASSY-(1J7B)	1
7		SEMUTH UPSET BOLT-W- (Trivalent) M6X20	Four
8			
9			
10			
11			
12			
13			
14			
15			
16			
17			
18			
19			
20			
21			
22			
23			
24			
25			



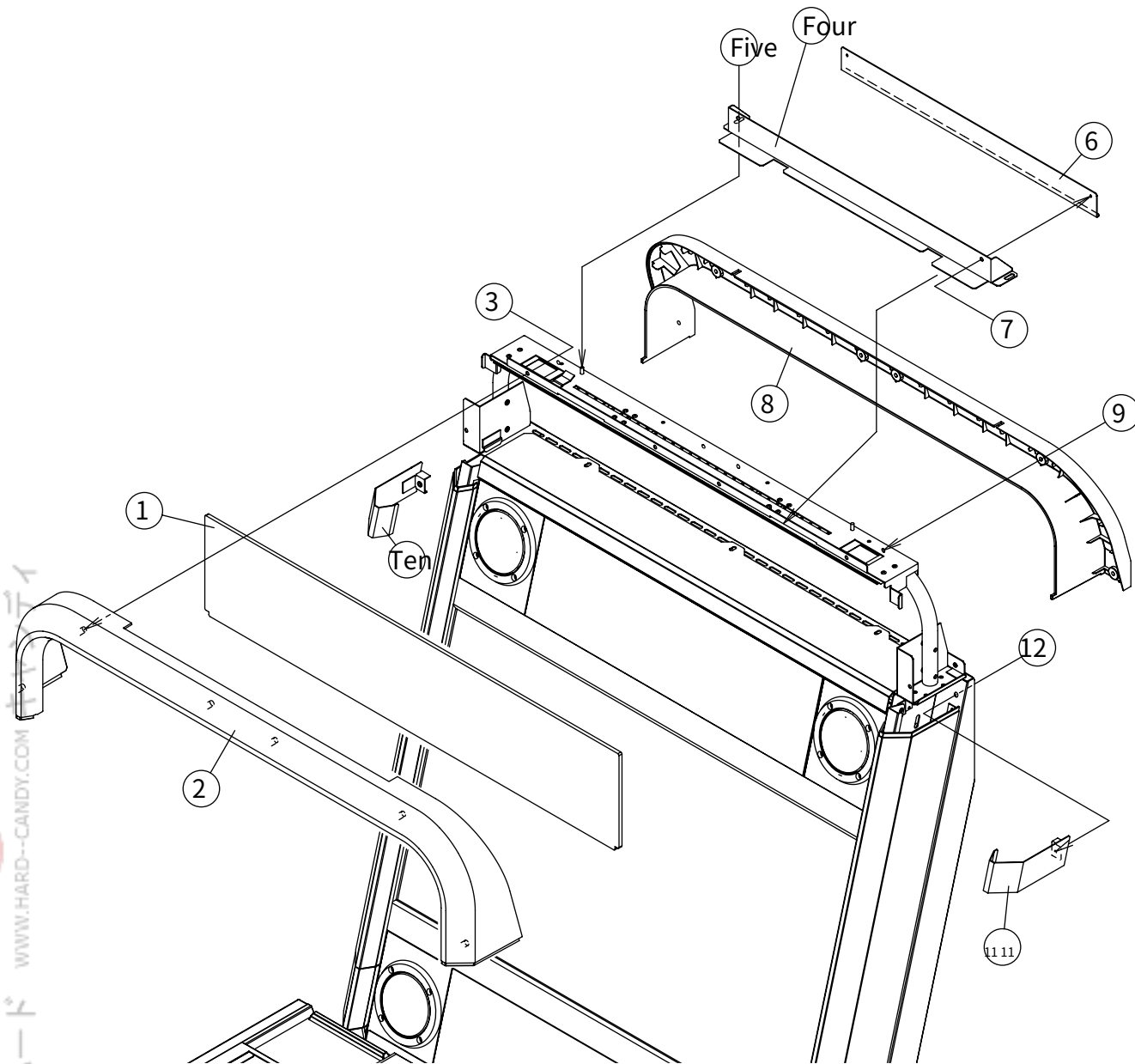
CAB

PARTS LIST

No.	PARTS No.	PARTS LIST	QTY
1	M9008284A	SIDE COVER ASSY-L	1
2	M9008285A	SIDE COVER ASSY-R	1
3		BIND LOW HD SCREW- <STAINLESS> M4X6	2
4		PAN HD SEMUTH SCREW-W- (Trivalent)	2
5	M4X6 M900772A	TITLE ASSY	1
6		PAN HD SEMUTH SCREW-W- (Trivalent) M4X8	Four
7			
8			
9			
10			
11			
12			
13			
14			
15			
16			
17			
18			
19			
20			
21			
22			
23			
24			
25			

WWW.HARD-CANDY.COM

HARD CANDY

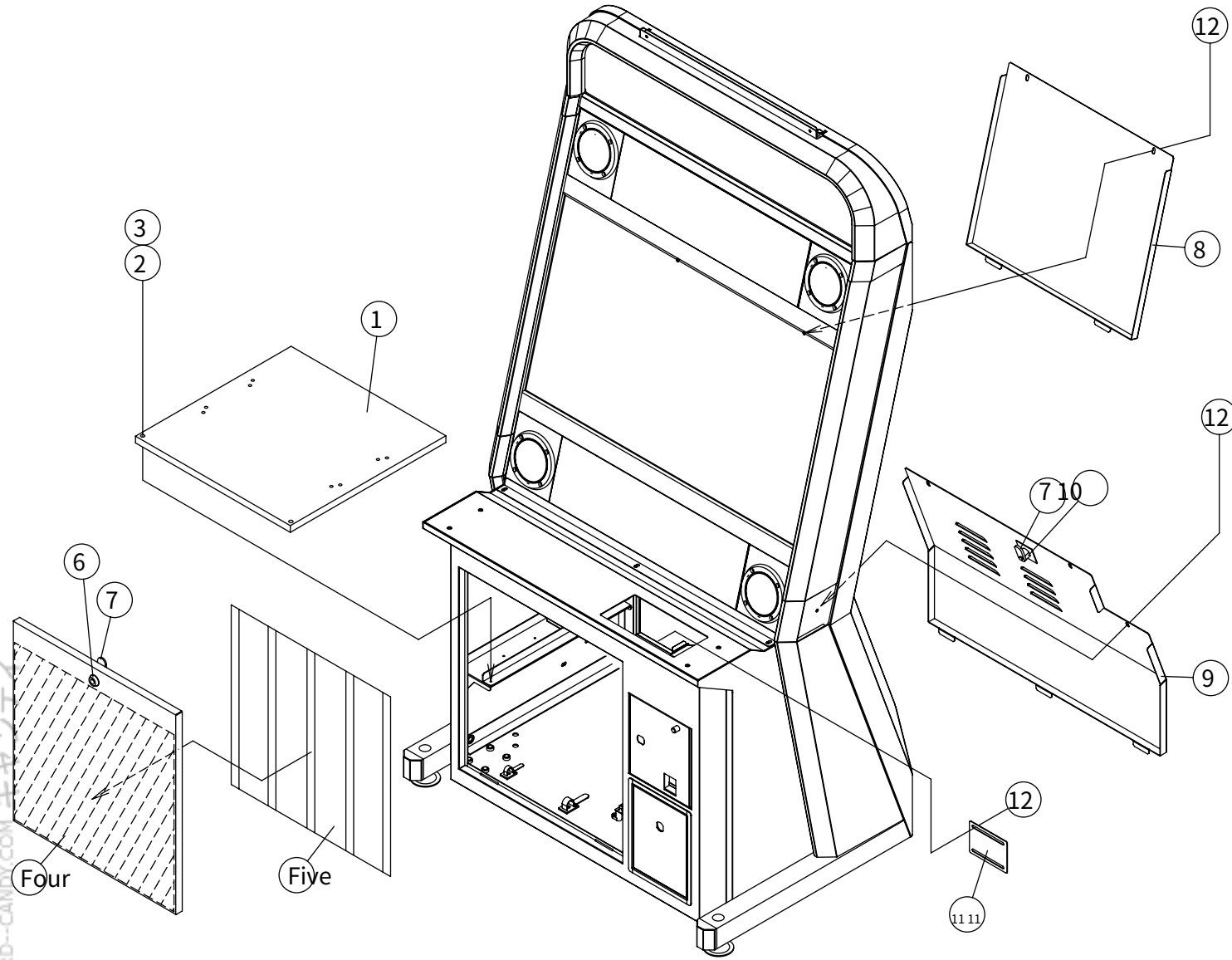


PARTS LIST

No.	PARTS No.	PARTS LIST	QTY
1	G4500463A	TITLE PANEL	1
2	F9008256A	TOP COVER-(FRONT)-(BLUE)	1
3		BIND HD TAP TIGHT-P-	6
4	(Trivalent) 3X8 E3102132A	INSTRUCTION STAND	1
5		FLANGE NUT- (Trivalent) M4	2
6	E3102131A	INSTRUCTION BRACKET	1
7		TRUSS HD SCREW- <Chromate>	2
8	M4X12 F9008257A	TOP COVER- (REAR)-(WHITE)	1
9		PAN HD SEMUTH SCREW-W-	6
10	<CHROME> M3X10 E3101525B	TOP SIDE COVER-	1
11	L E3101526B	TOP SIDE COVER-R	1
12		TRUSS HD SCREW- <CHROME> M4X35	2
13			
14			
15			
16			
17			
18			
19			
20			
21			
22			
23			
24			
25			

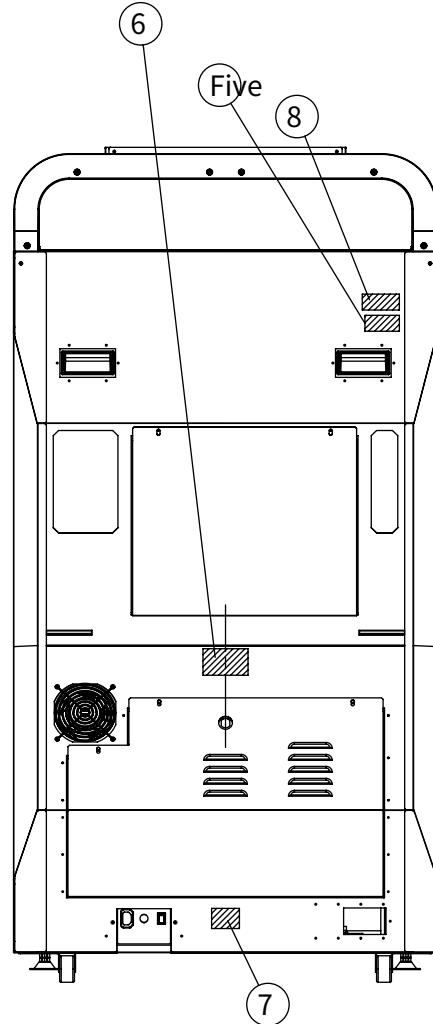
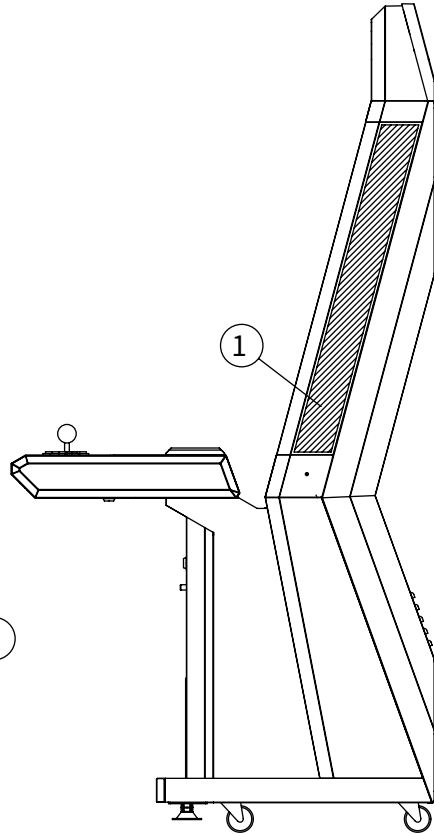
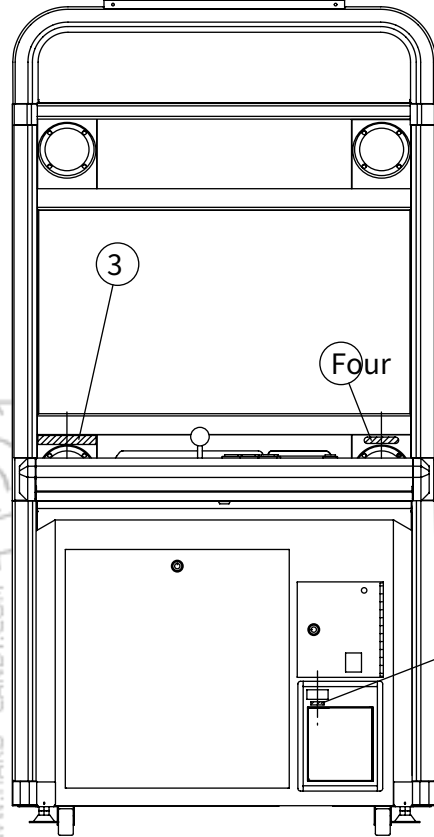
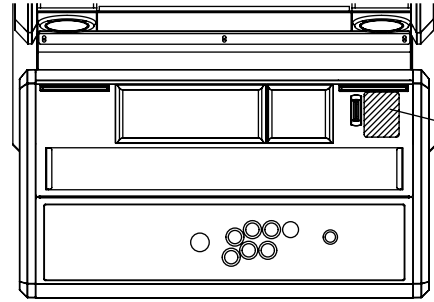


CAB



PARTS LIST

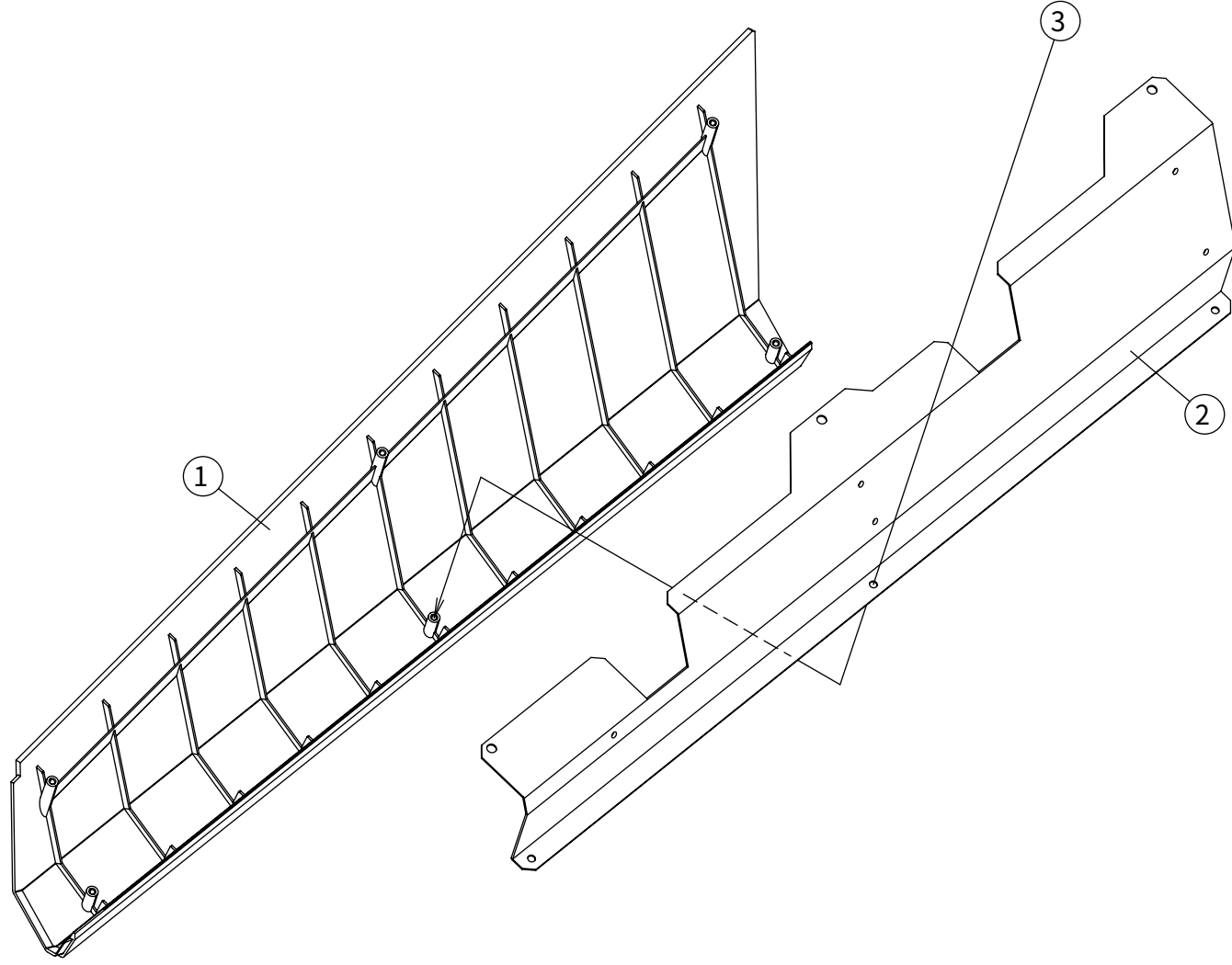
No.	PARTS No.	PARTS LIST	QTY
1	D2002016APCB	BASE BOARD	1
2		PLAIN WASHER- (Trivalent) 4.5X18X1.6t	2
3		WING BOLT- (Trivalent) M4X25	2
4	E3103019A	FRONT DOOR- (WHITE)	1
5	F9007099A	SHEET-B	1
6	E5000682A	LOCK & KEY-(SINGLE)-(LY1153) -(ROHS) F750-MSDS	1
7	E3018357A	LOCK PLATE	2
8	E3103008A	BACK DOOR-(UPPER)-(WHITE) E3103007A	1
9		BACK DOOR-(LOWER)-(WHITE) E5000684A LOCK-	1
10		(SINGLE)-(LY1153)-(ROHS) F750-MSDS E3103020A	1
11		LAN COVER PLATE-(WHITE)	1
12		TRUSS HD SCREW- <CHROME> M4X8	9
13			
14			
15			
16			
17			
18			
19			
20			
21			
22			
23			
24			
25			



PARTS LIST

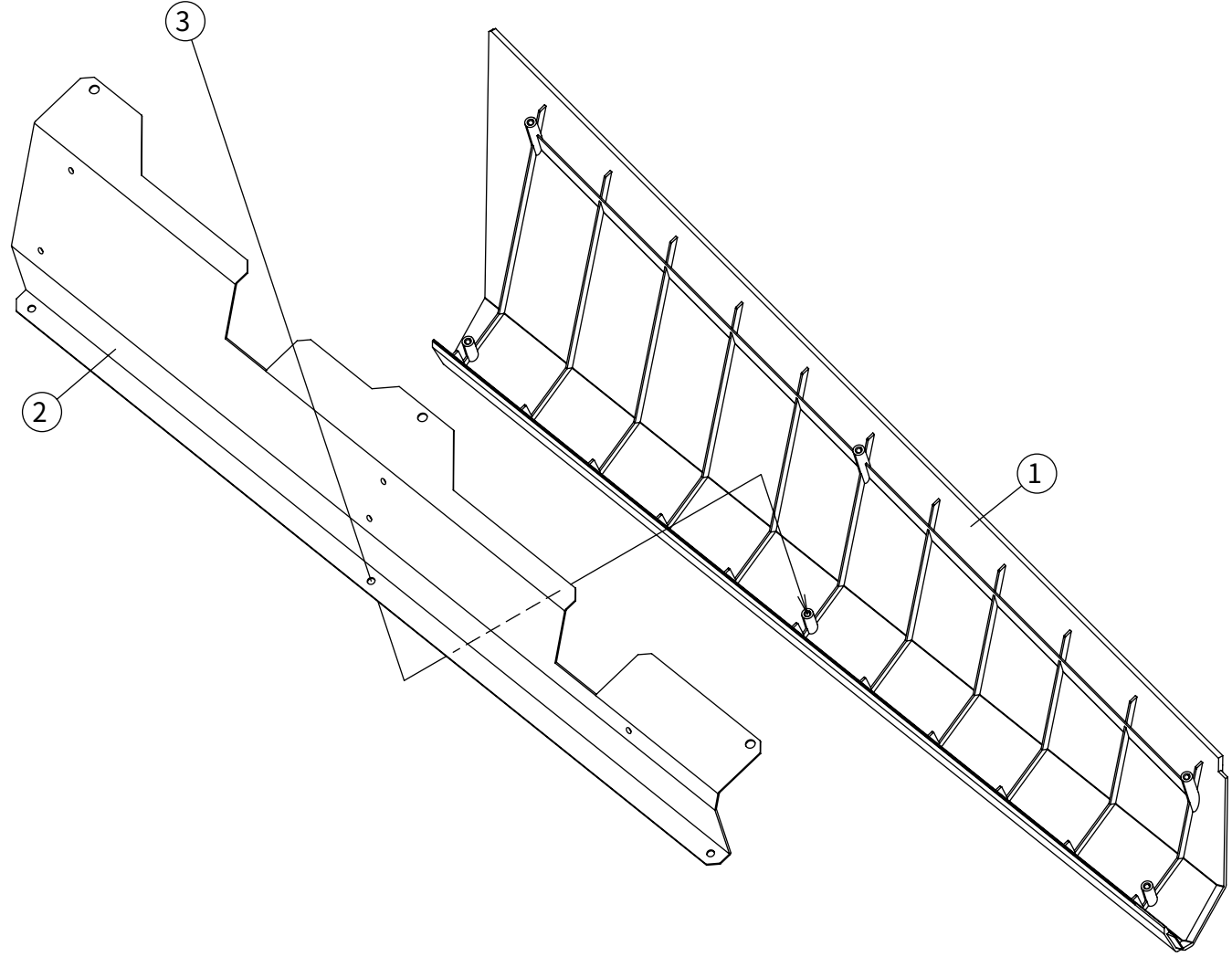
No.	PARTS No.	PARTS LIST	QTY
1	G1504540	ASIDE STICKER SHEET G6000373ÆWLIX L	1
2		INDICATION STICKER SHEET VEWLIX	1
3	G1002173	CAUTION STICKER- (light stimulation)	1
4	G1002087	APATÉNT STICKER patent pending	1
5	G1002095	AJAMMA STANDARD STICKER device	1
6	color		1
7			1
8			1
9			
10			
11			
12			
13			
14			
15			
16			
17			
18			
19			
20			
21			
22			
23			
24			
25			

SID



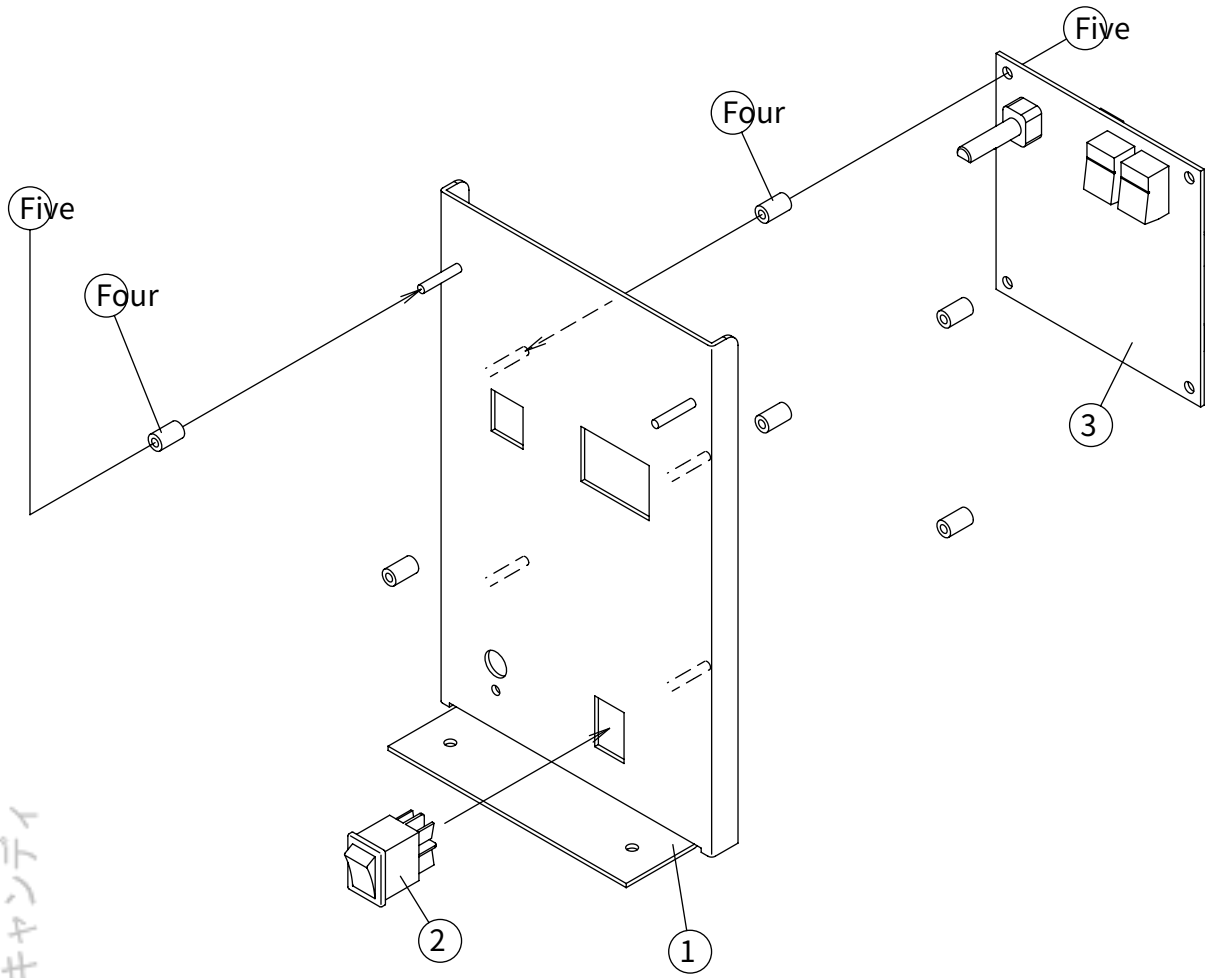
PARTS LIST

No.	PARTS No.	PARTS LIST	QTY
1	F9008252A	SIDE COVER LOWER-L-(BLUE)	1
2	E3018366A	SIDE COVER LOWER BRACKET-L	1
3		BIND HD TAP TIGHT-P- (Trivalent) 3X8	6
4			
5			
6			
7			
8			
9			
10			
11			
12			
13			
14			
15			
16			
17			
18			
19			
20			
21			
22			
23			
24			
25			



PARTS LIST

No.	PARTS No.	PARTS LIST	QTY
1	F9008253A	SIDE COVER LOWER-R-(BLUE)	1
2	E3018367A	SIDE COVER LOWER BRACKET-R	1
3		BIND HD TAP TIGHT-P- (Trivalent) 3X8	6
4			
5			
6			
7			
8			
9			
10			
11			
12			
13			
14			
15			
16			
17			
18			
19			
20			
21			
22			
23			
24			
25			



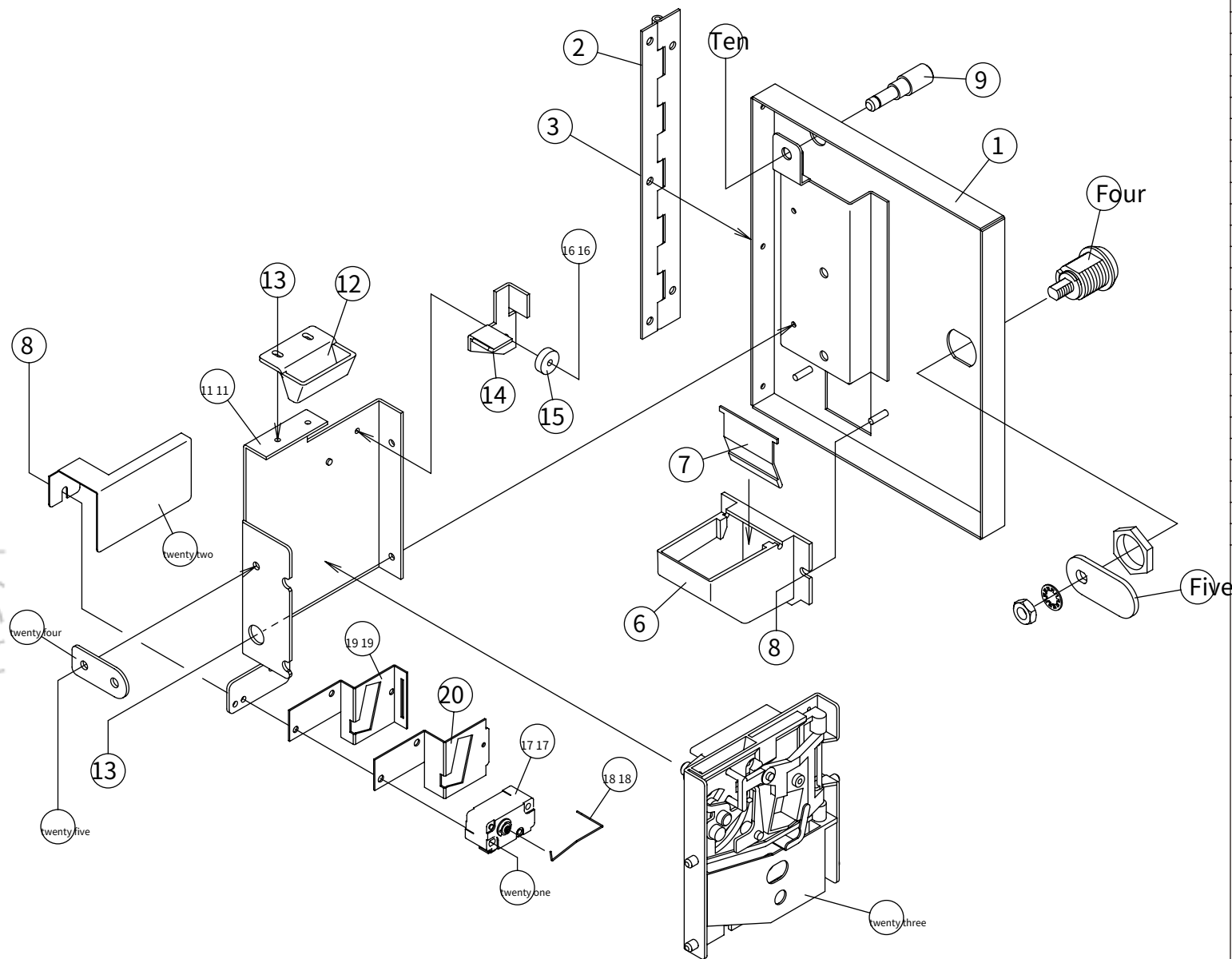
PARTS LIST

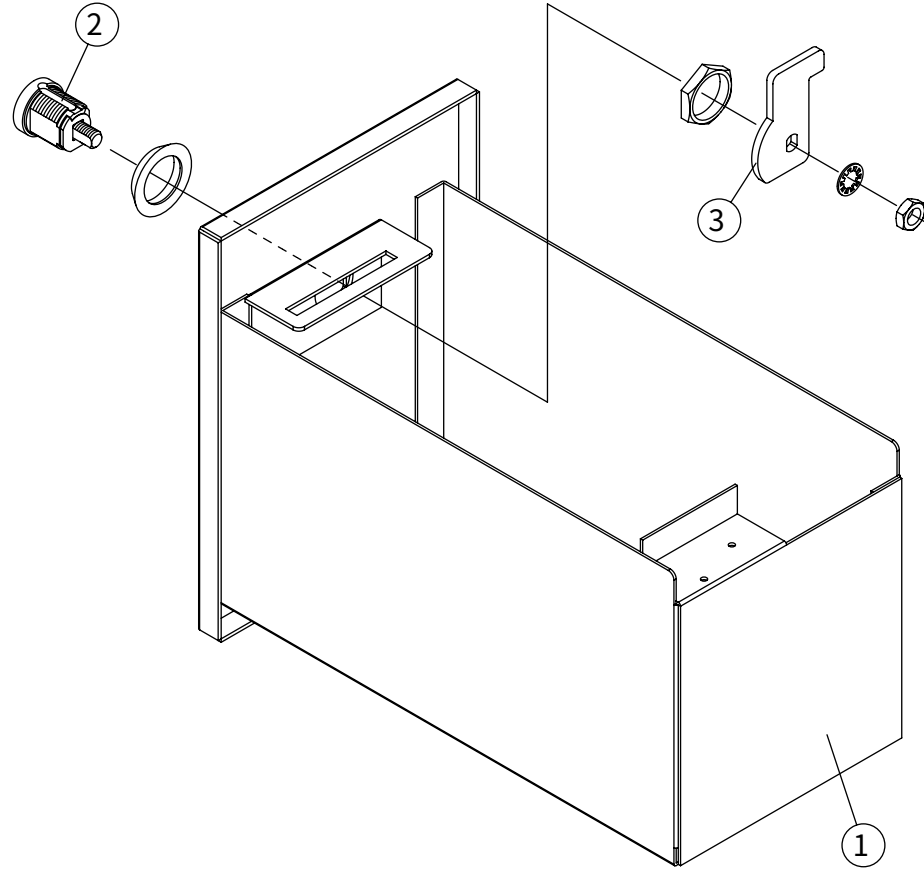
No.	PARTS No.	PARTS LIST	QTY
1	E3020360A	CENTRAL BRACKET C0200685P	1
2		ROCKER SWITCH- (ROHS) 7SW216A-1-A	1
3		K91X1153A AMP PCB ASSY	1
4		F9007102A PLASTIC SPACER 3.2X7X10	6
5		FLANGE NUT- (Trivalent) M3	6
6			
7			
8			
9			
10			
11			
12			
13			
14			
15			
16			
17			
18			
19			
20			
21			
22			
23			
24			
25			

CEN

PARTS LIST

No.	PARTS No.	PARTS LIST	QTY
1	E3103022A	REJECTOR DOOR- (WHITE)	1
2	E9100165A	DOOR HINGE- (WHITE)	1
3		BIND HD SCREW-(Trivalent) M3X8	3
4	E5000684A	LOCK(SINGLE)-(LY1153)-(ROHS) F750-	1
5	MSDS E3018357A	LOCK PLATE	1
6	F9006726A	CANCEL CUP	1
7	E3018472A	SHUTTER-N	1
8		FLANGE NUT- (Trivalent) M3	3
9	E1000928A	CANCEL ROD	1
10		E RING- (Trivalent) ETWJ-5	1
11	E3018362B	REJECTOR HOLDER	1
12	F9007574A	COIN GUIDE-(POM)	1
13		PAN HD SEMUTH SCREW-W-	Four
14	(Trivalent) M3X8	E3018243A CANCEL LEVER	1
15	E1002359A	SPACER	1
16		PAN HD SEMUTH SCREW-W-	1
17	(Trivalent) M3X10	C0200557P MICRO SWITCH- (PBF)	1
18	D2MC-01E C0300022L	ACTUATOR- (PB)	1
19	E3017618A	MS COIN GUIDE-A	1
20	E3017619A	MS COIN GUIDE-B	1
21		PAN HD SCREW-(Trivalent)	2
22	M3X25 E3018242A	ACTUATOR COVER	1
23	M1210014A	REJECTOR-(100 YEN) AD-81P3	1
24	E3018299A	REJECTOR PLATE	1
25		WING BOLT- (Trivalent) M4X10	1

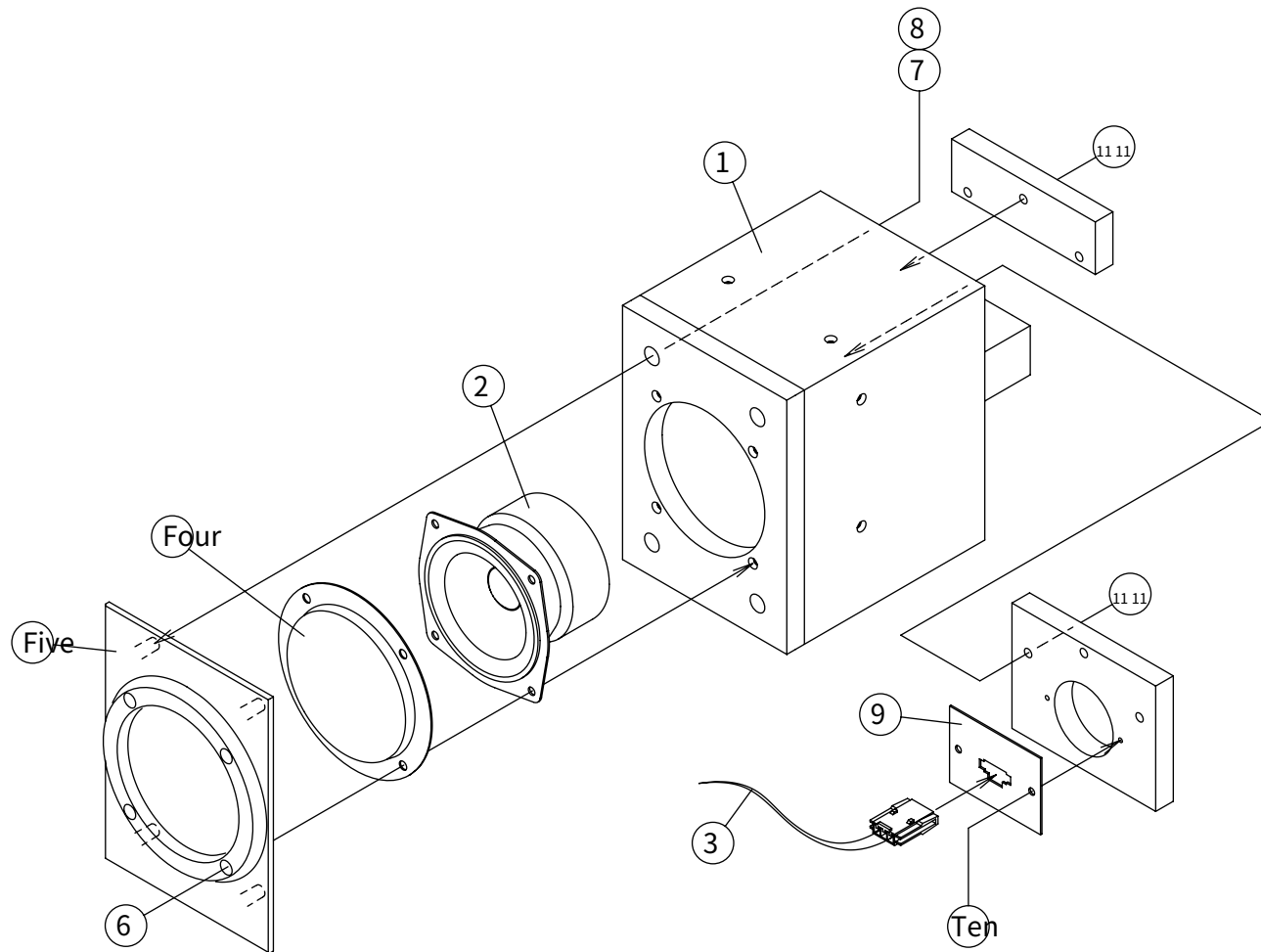




PARTS LIST

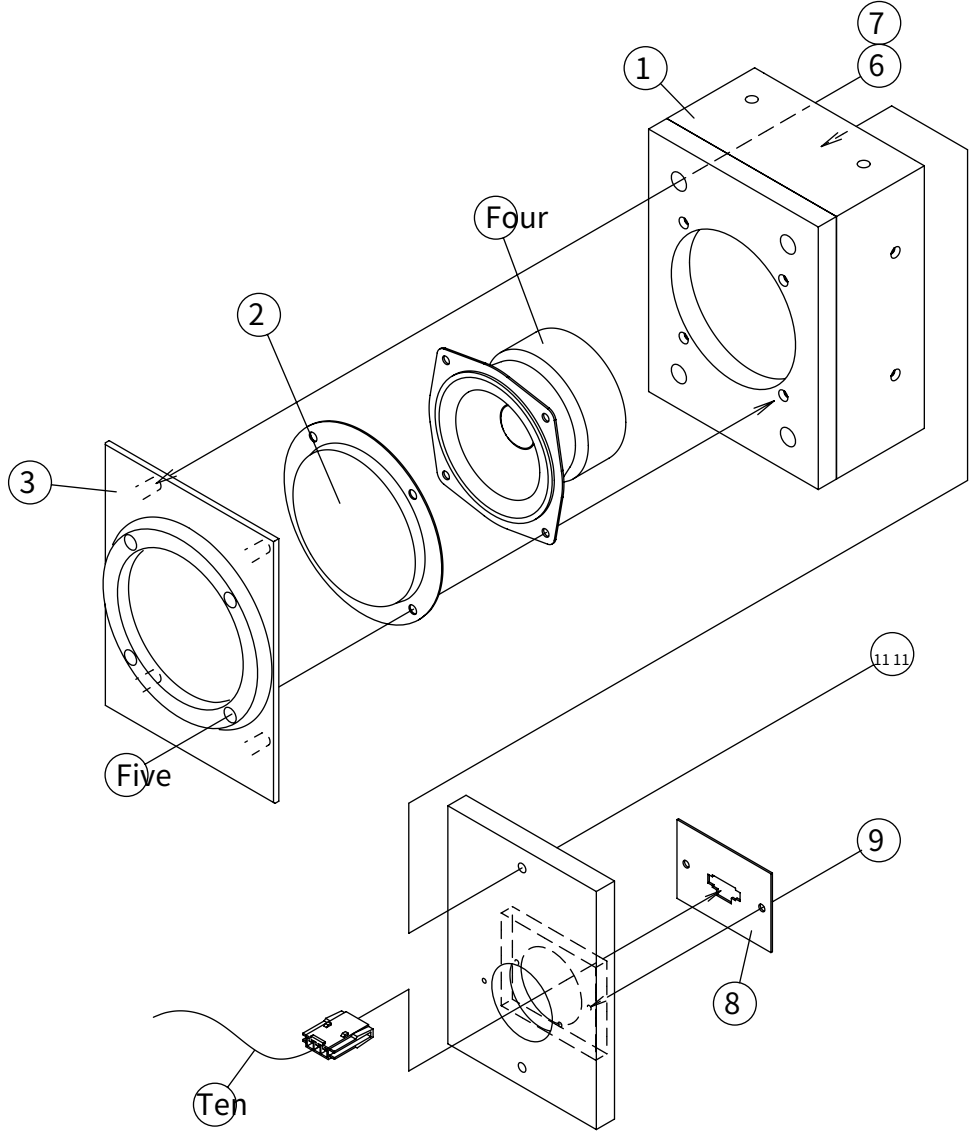
No.	PARTS No.	PARTS LIST	QTY
1	E3103010A	CASH BOX- (WHITE)	1
2	E5000678AKIND	LOCK-(LARGE RING) -(ROHS) F830 (LARGE RING)	1
3	E3018888A	LOCK PLATE-(Z LOCK)	1
4			
5			
6			
7			
8			
9			
10			
11			
12			
13			
14			
15			
16			
17			
18			
19			
20			
21			
22			
23			
24			
25			

CAS



PARTS LIST

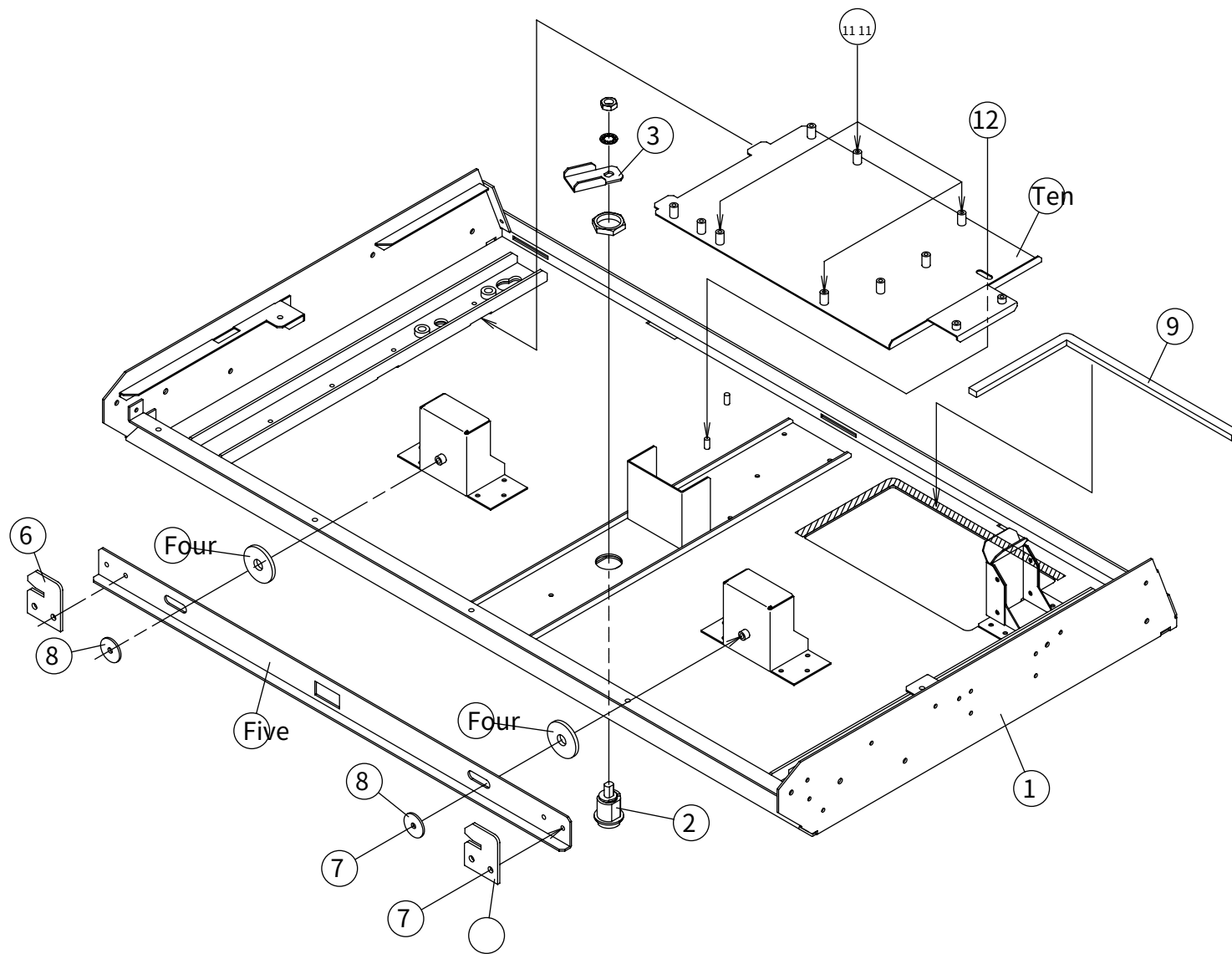
No.	PARTS No.	PARTS LIST	QTY
1	D2001972B	SPEAKER BOX	1
2	A6000I54P	SPEAKER-(4 OHM 10W)-(77MM) -(ROHS) F77G131-3	1
3	L9005614D SP 1	HARNESS	1
4	E3101470A	GUARD COVER	1
5	F9007032A	SPEAKER COVER	1
6		SOCKET CAP BOLT-(TEMPER) M4X20	Four
7		PLAIN WASHER- (Trivalent)	Four
8		3.5X15X1.2T BIND HD TAP TIGHT-P-	Four
9	E3018349A	(Trivalent) 3X10 CONNECTOR PLATE	1
10		BIND HD SELF TAP- (Trivalent) 3.5X12-1	2
11		BIND HD SELF TAP- (Trivalent) 3.5X25-1	6
12			
13			
14			
15			
16			
17			
18			
19			
20			
21			
22			
23			
24			
25			



PARTS LIST

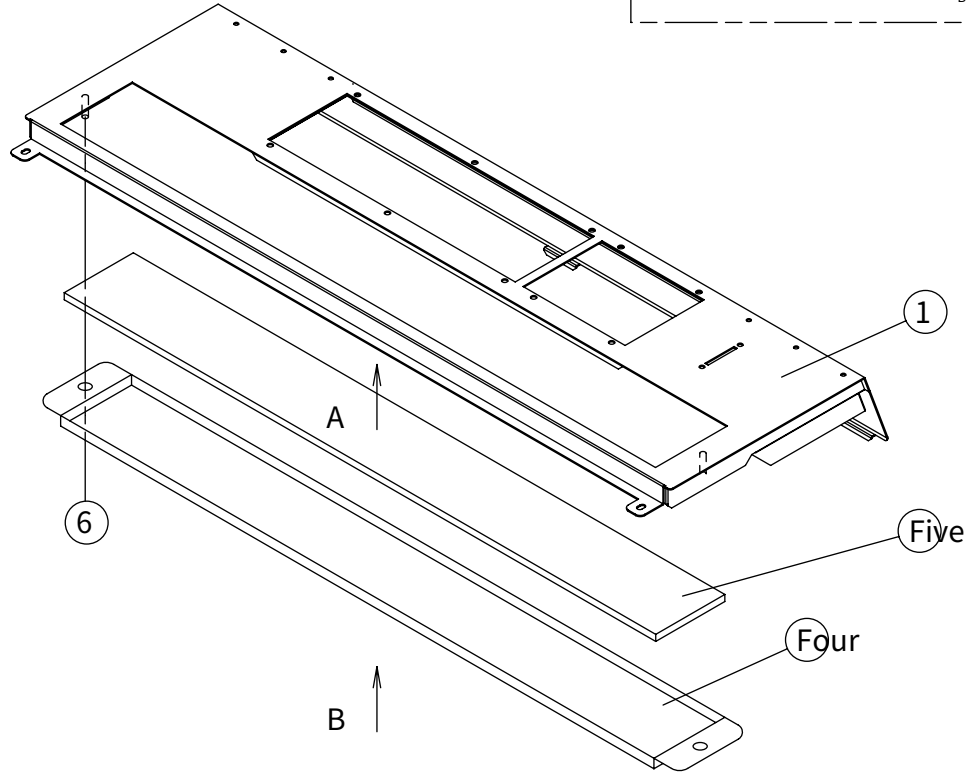
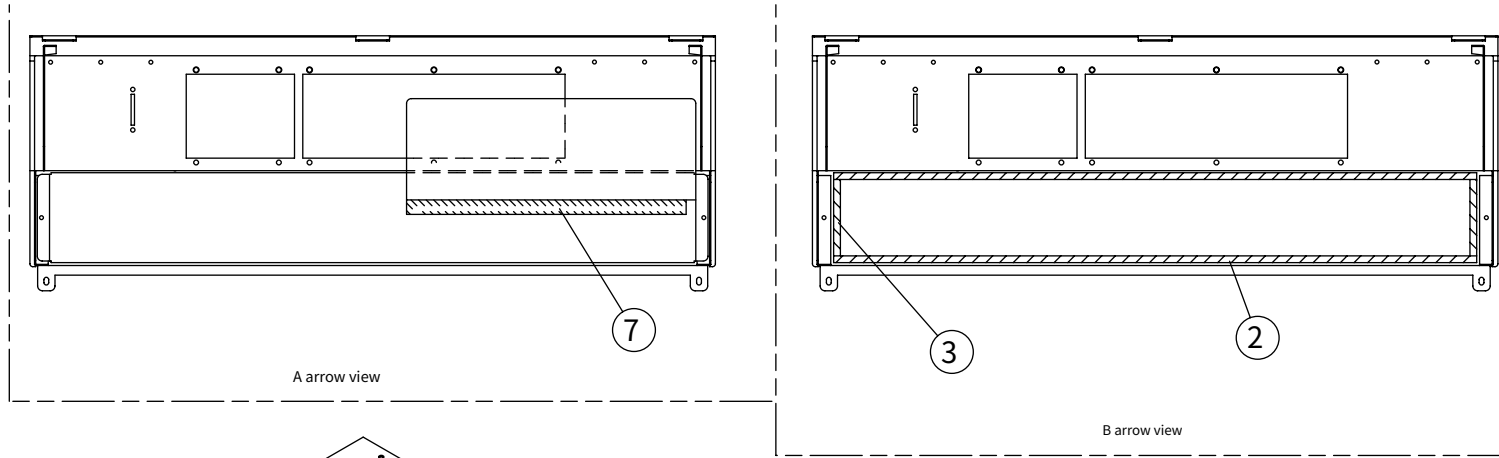
No.	PARTS No.	PARTS LIST	QTY
1	D2002047A	UPPER SPEAKER BOX	1
2	E3101470A	GUARD COVER	1
3	F9007032A	SPEAKER COVER A6000154P SPEAKER-(4	1
4	OHM 10W)-(77MM)-(ROHS) F77G131-3		1
5		SOCKET CAP BOLT-(TEMPER) M4X20	Four
6		PLAIN WASHER- (Trivalent)	Four
7		3.5X15X1.2T BIND HD TAP TIGHT-P-	Four
8	(Trivalent) 3X10 E3018349A	CONNECTOR PLATE	1
9		BIND HD SELF TAP- (Trivalent) 3.5X12-1	2
10	L9005614D SP1	HARNESS	1
11		BIND HD SELF TAP- (Trivalent) 3.5X25-1	2
12			
13			
14			
15			
16			
17			
18			
19			
20			
21			
22			
23			
24			
25			

UPP



PARTS LIST

No.	PARTS No.	PARTS LIST	QTY
1	E3103011A	CONTROL BASE-(WHITE)	1
2	E5000684A	LOCK-(SINGLE)-(LY1153)-(ROHS)	1
3	F750-MSDS E3018358A	LOCK PLATE-	1
4	(CONTROL PANEL) F9007073A	LATCH SPACER	2
5	E3018353A	LATCH SLIDER	1
6	E3019427A	LATCH	2
7		PAN HD SEMUTH SCREW-W-	6
8	(Trivalent) M4X8 E3018354A	LATCH WASHER	2
9	F9007100A	SPONGE 275X8X5	1
10	E3018351A	JVS PCB BASE	1
11		PAN HD SEMUTH SCREW-W- (Trivalent)	Four
12		M3X8 WING NUT- (Trivalent) M4	1
13			
14			
15			
16			
17			
18			
19			
20			
21			
22			
23			
24			
	L1000432D	MAIN HARNESS	1

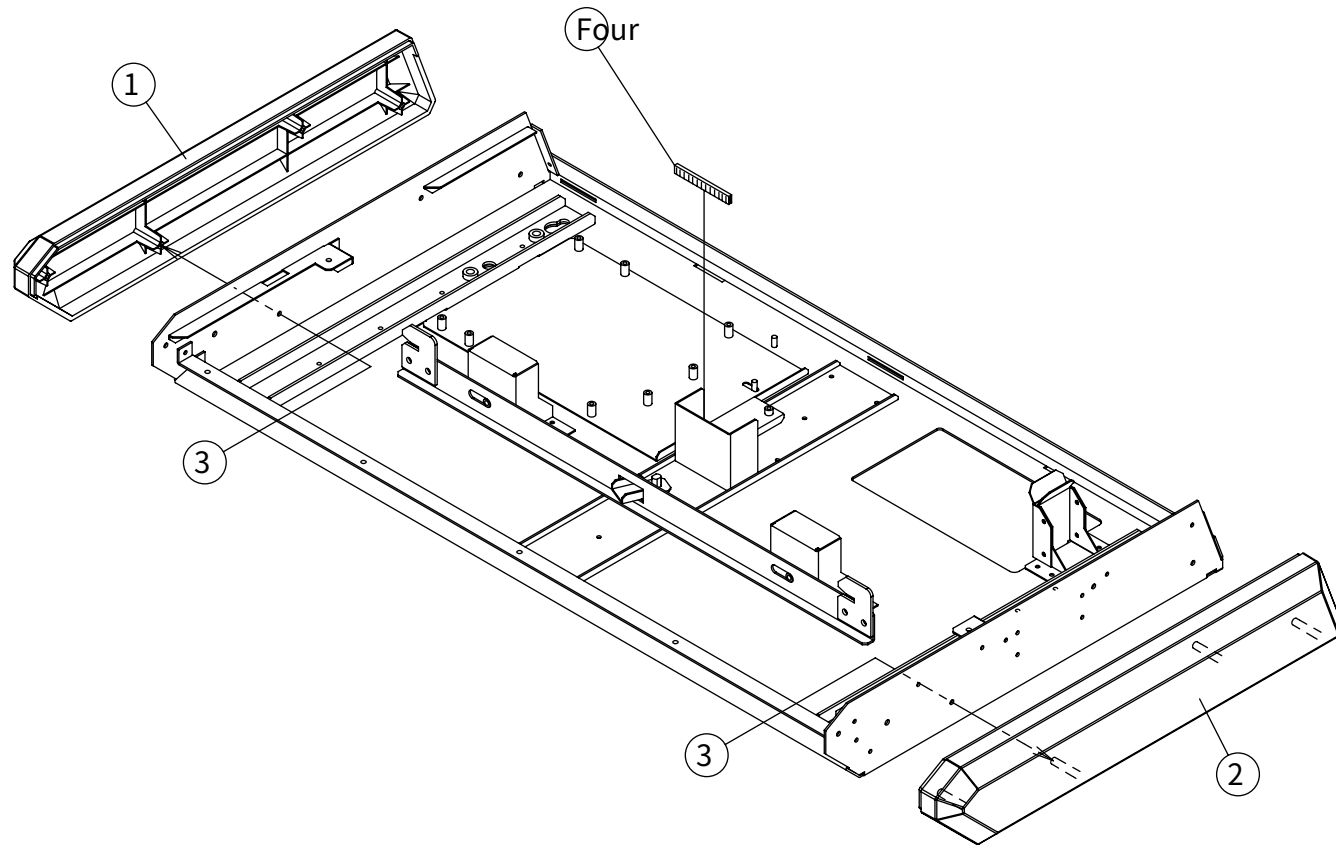


PARTS LIST

No.	PARTS No.	PARTS LIST	QTY
1	E3103013A	CONTROL COVER-(REAR)-	1
2	(WHITE) F9008248A	RUBBER PLATE 667X7X1.0	2
3	F9008249A	RUBBER PLATE 79X7X1.0	2
4	E3103018A	DISPLAY CARD BRACKET	1
5	H1005097A	DISPLAY CARD GLASS	1
6		FLANGE NUT- (Trivalent) M4	2
7	F9007077A	WATER GUARD-A	1
8			
9			
10			
11			
12			
13			
14			
15			
16			
17			
18			
19			
20			
21			
22			
23			
24			
25			

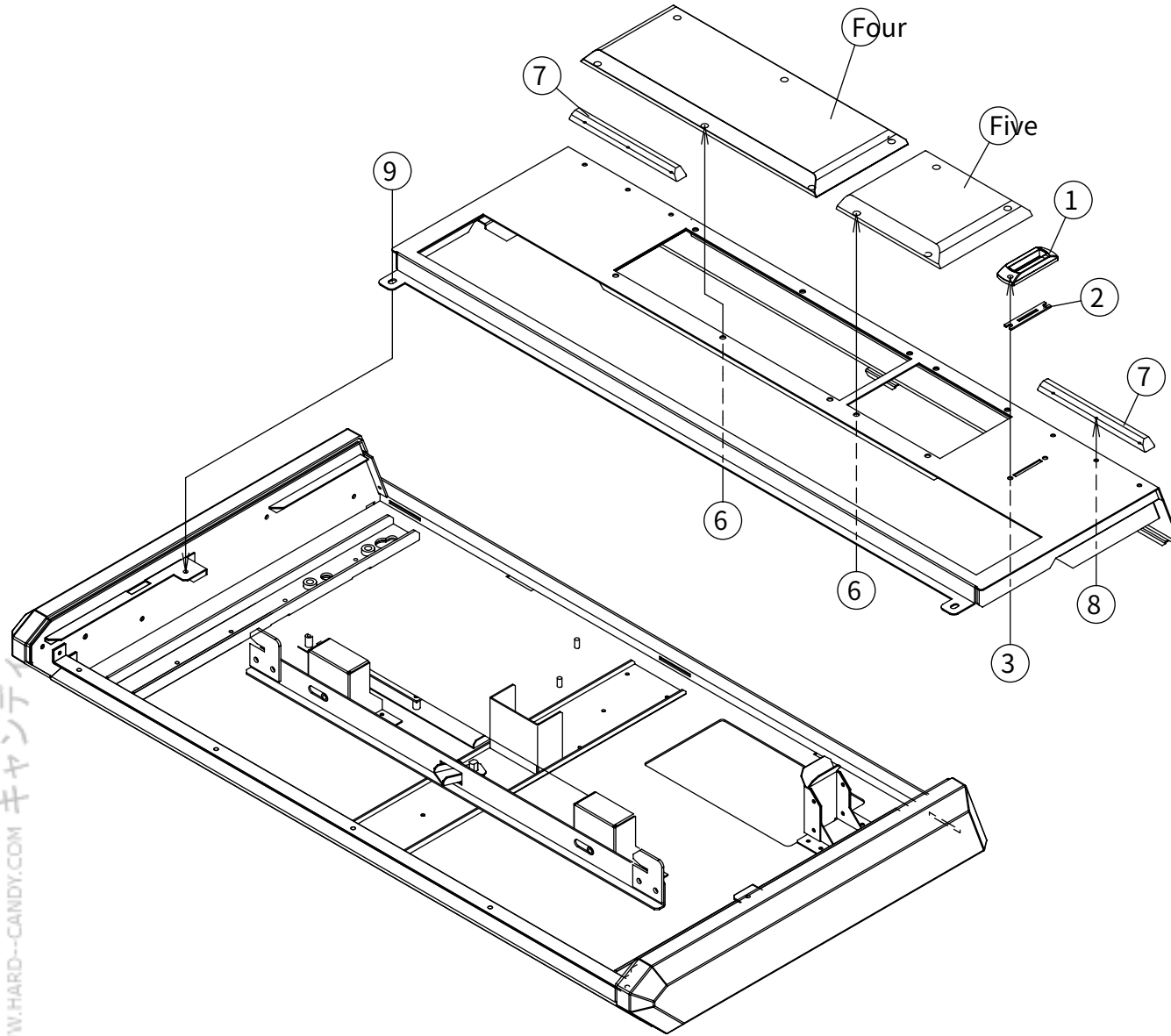
CON





PARTS LIST

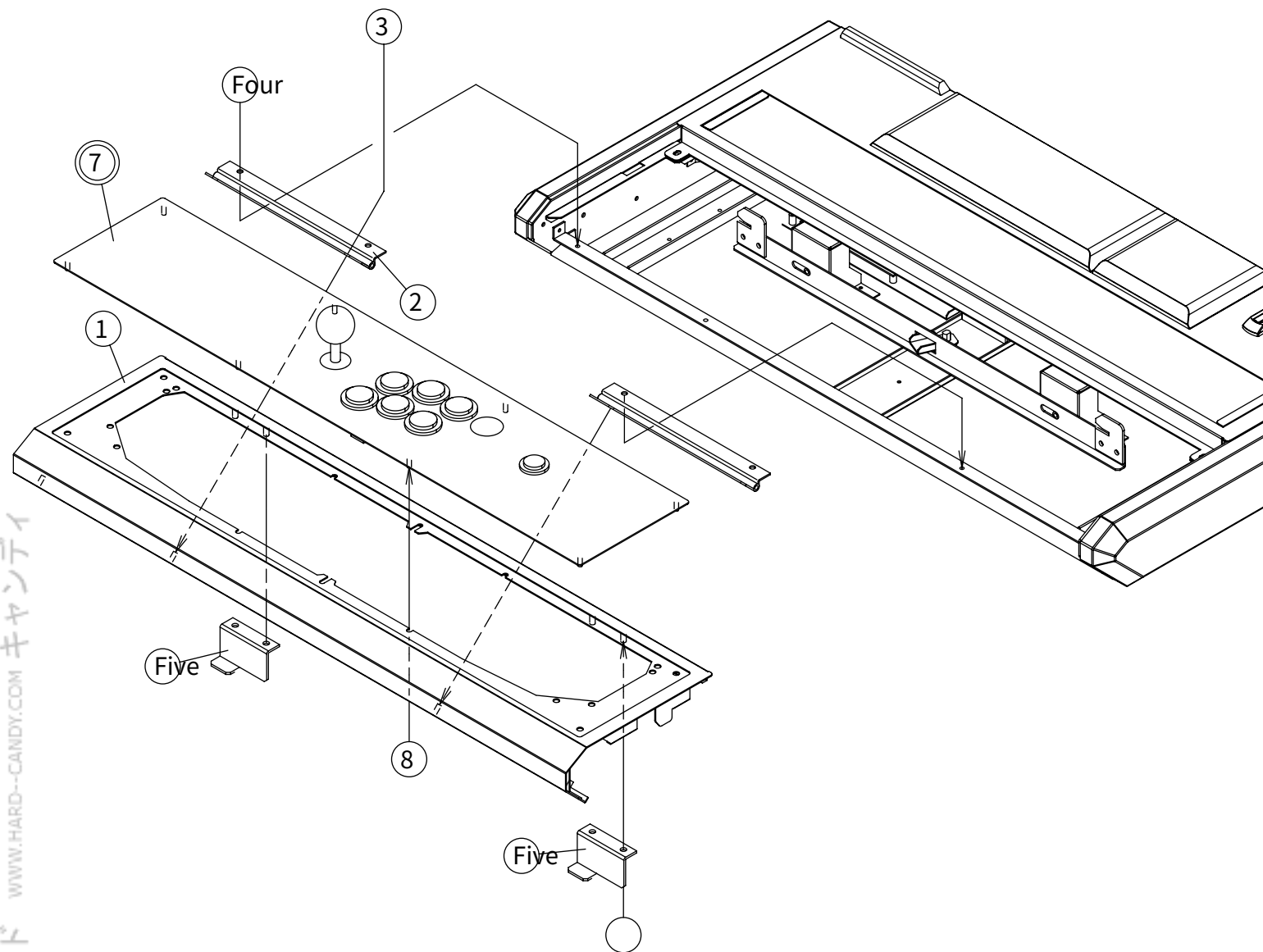
No.	PARTS No.	PARTS LIST	QTY
1	F9008242A	CONTROL SIDE COVER-L-(DARK BLUE)	1
2	F9008243A	CONTROL SIDE COVER-R-(DARK BLUE)	1
3		BIND HD TAP TIGHT-P- (Trivalent) 3X8	8
4	F9007852A	NYLON GROMMET- (milky white) NKG-016	0.055
5			
6			
7			
8			
9			
10			
11			
12			
13			
14			
15			
16			
17			
18			
19			
20			
21			
22			
23			
24			
25			



PARTS LIST

No.	PARTS No.	PARTS LIST	QTY
1	F9008241A	COIN ENTRY MOLDING-(ROHS) DARK	1
2	BLUE E3018348A	COIN ENTRY PLATE-(100YEN-C)	1
3		PAN HD SEMUTH SCREW-W- (Trivalent)	2
4	M3X8 F9008244A	EXTRA SPACE COVER-L- (DARK BLUE)	1
5	F9008245A	EXTRA SPACE COVER-R- (DARK BLUE)	1
6		PAN HD SEMUTH SCREW-W- (Trivalent)	Ten
7	M4X8 F9008240A	ASHTRAY STOPPER- (DARK BLUE)	2
8		BIND HD TAP TIGHT-P- (Trivalent) 3X8 CROSS	6
9		RECESSED ROLLET SCREW M4X7	2
10			
11			
12			
13			
14			
15			
16			
17			
18			
19			
20			
21			
22			
23			
24			
25			

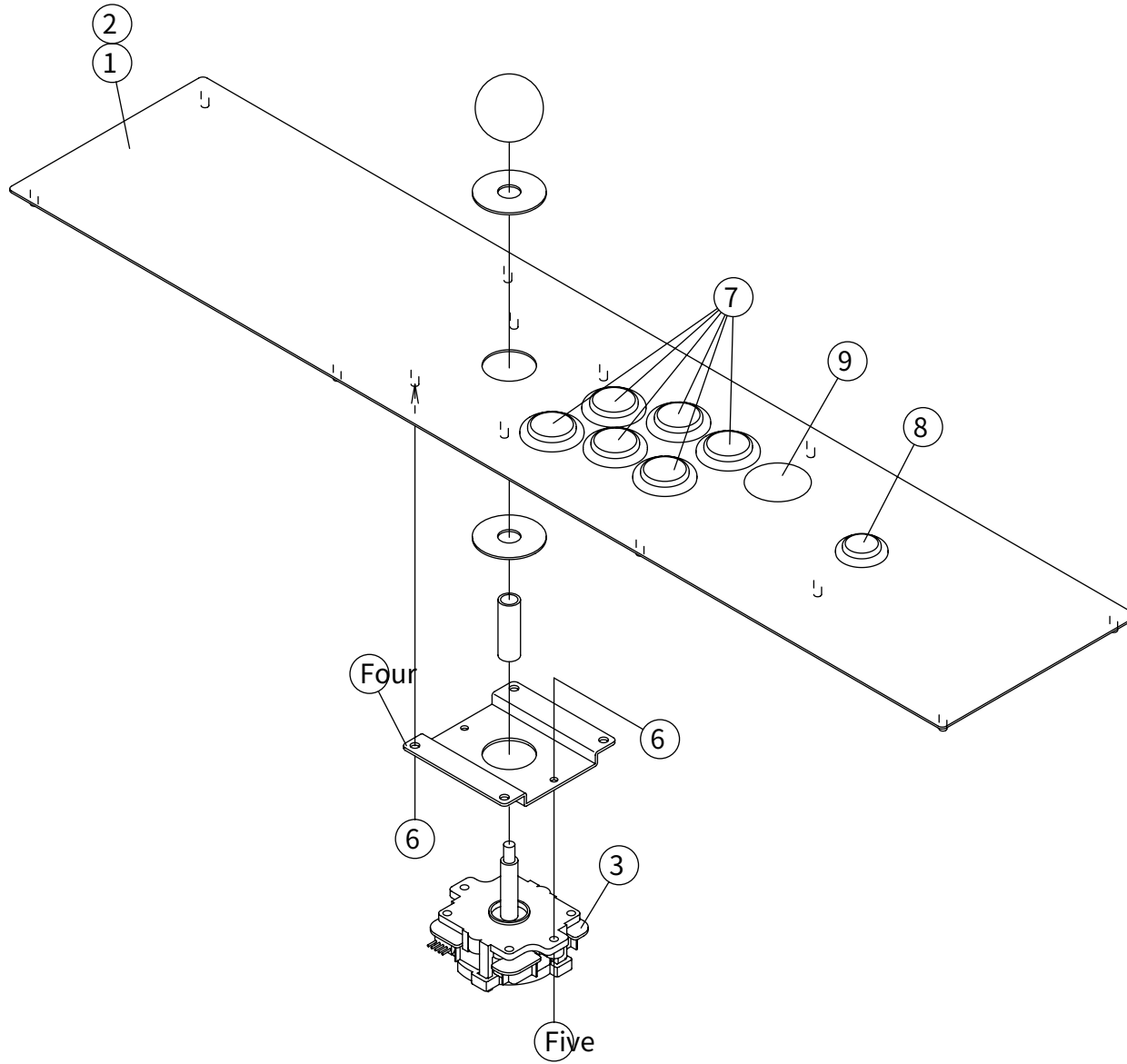
CON



PARTS LIST

No.	PARTS No.	PARTS LIST	QTY
1	E3103012B	CONTROL COVER-(FRONT)-(SUS)	1
2	E9001527A	CONTROL HINGE	2
3		FLANGE NUT- (Trivalent) M4	Four
4		PAN HD SEMUTH SCREW-W-	Four
5	(Trivalent) M4X8	E3019428A LOCK BRACKET	2
6		SELF LOCKING NUT-U- (Trivalent)	Four
7	M5 M0315337A	CONTROL PLATE ASSY- (1J7B)	1
8		SELF LOCKING NUT-U- (Trivalent) M4	8
9			
10			
11			
12			
13			
14			
15			
16			
17			
18			
19			
20			
21			
22			
23			
24			
25			

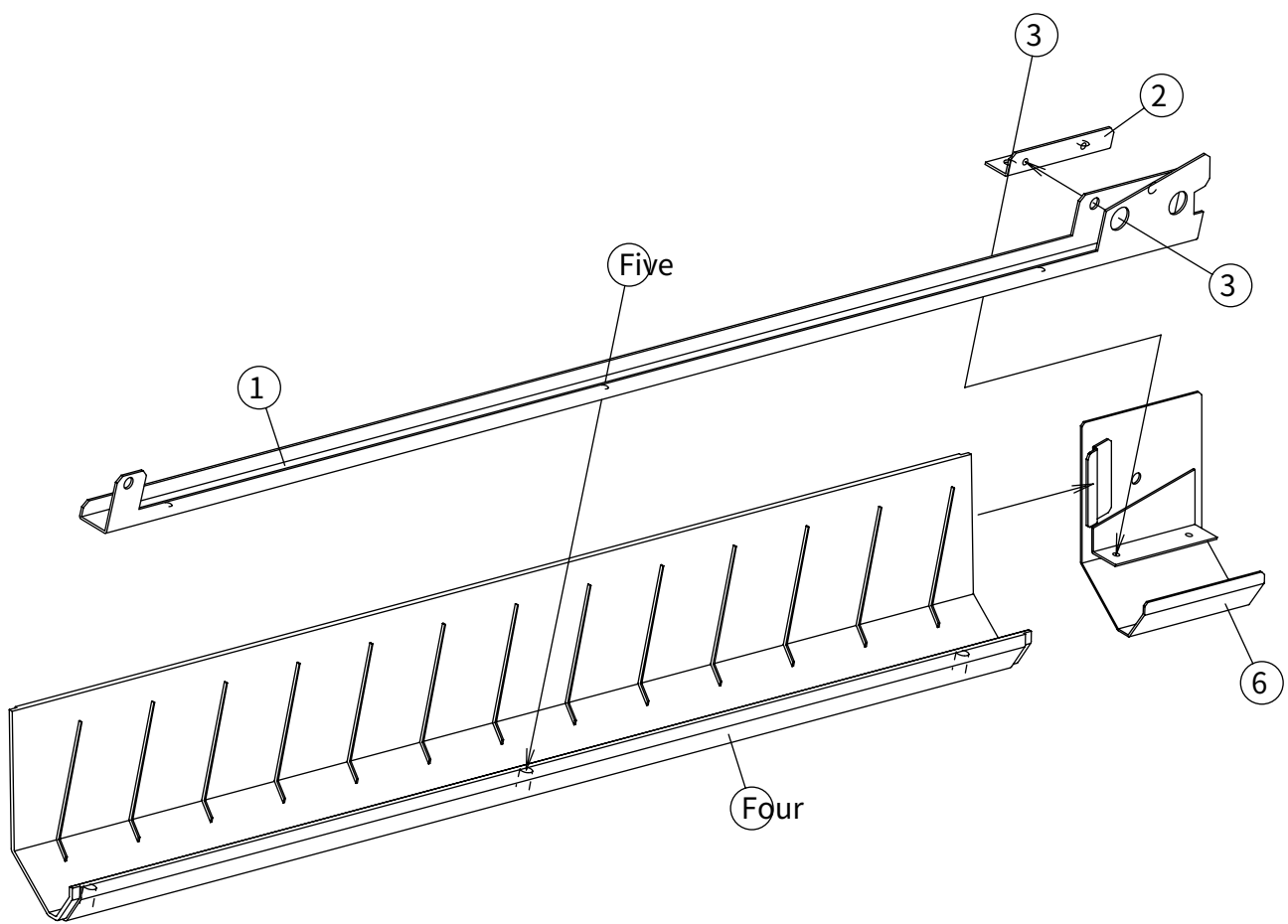
CON



PARTS LIST

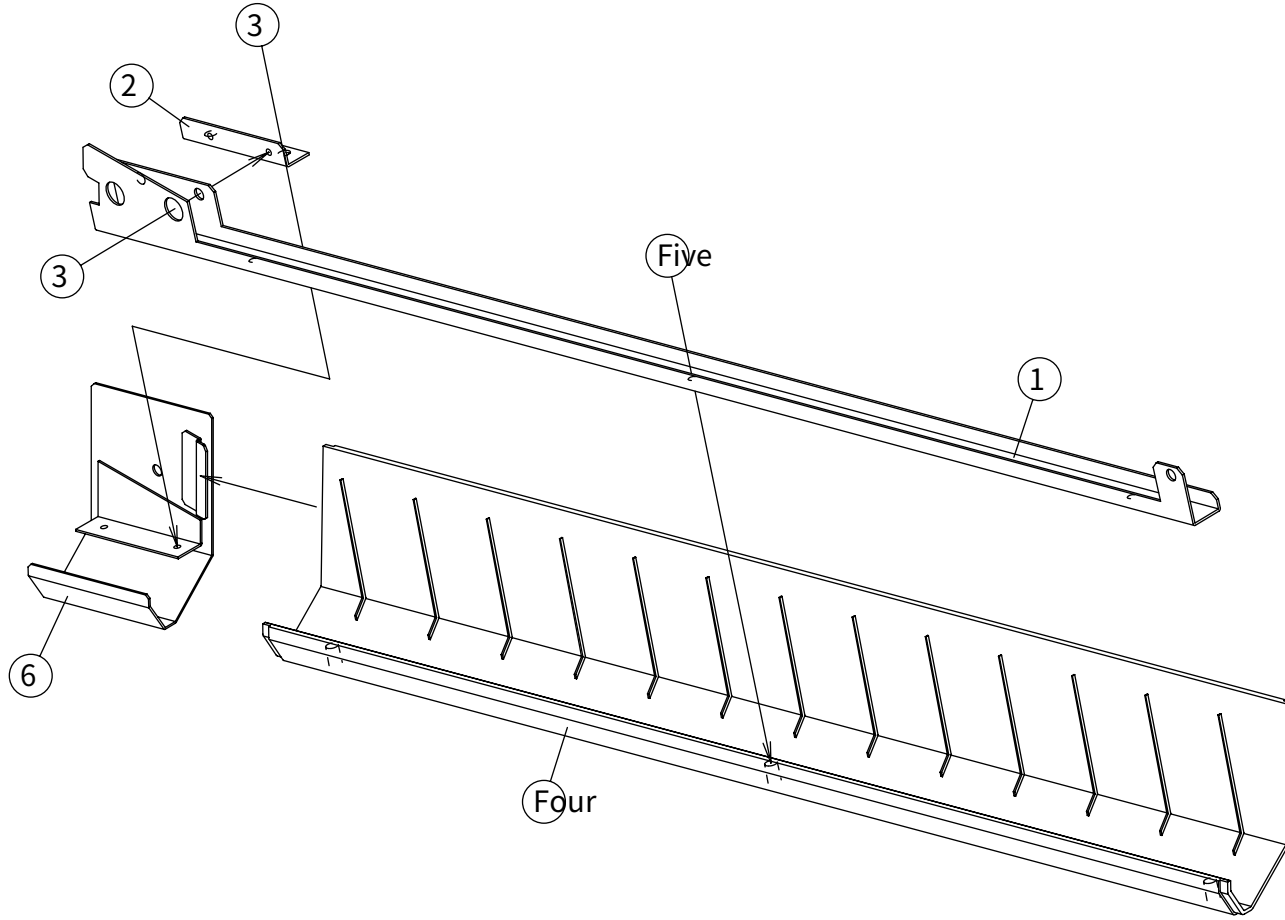
No.	PARTS No.	PARTS LIST	QTY
1	E3102110A	CONTROL PLATE-(1J7B)	1
2	G5500517A	CONTROL STICKER-(1J7B)	1
3	M1000442A	JOYSTICK- (WHITE)-(ROHS) JLF-	1
4	TP-8Y-SK-W E3018350A	JOYSTICK BRACKET	1
5		PAN HD SEMUTH SCREW-W- (Trivalent)	2
6		M4X15 SELF LOCKING NUT-U- (Trivalent) M4	6
7	C0200688P	PUSH SW.-(SPST HOR.100MA 12V) -(WHITE) PBF OBSF-30-W	6
8	C0200687P	PUSH SW.-(SPST HOR.100MA 12V) -(WHITE) PBF OBSF-24-W	1
9	F9001053A	BUTTON COVER D = 30 DP-1187	1
10			
11			
12			
13			
14			
15			
16			
17			
18			
19			
20			
21			
22			
23			
24			
25			

CON



PARTS LIST			
No.	PARTS No.	PARTS LIST	QTY
1	E3018364A	SIDE COVER BASE-L E3018375A	1
2		MIDDLE COVER GUIDE-L	1
3		PAN HD SEMUTH SCREW-W-	Four
4	(Trivalent) M4X8 F9008254A	SIDE COVER-L- (BLUE)	1
5		BIND HD TAP TIGHT-P-	3
6	(Trivalent) 3X8 E3101522B	MIDDLE SIDE COVER-L	1
7			
8			
9			
10			
11			
12			
13			
14			
15			
16			
17			
18			
19			
20			
21			
22			
23			
24			
25			

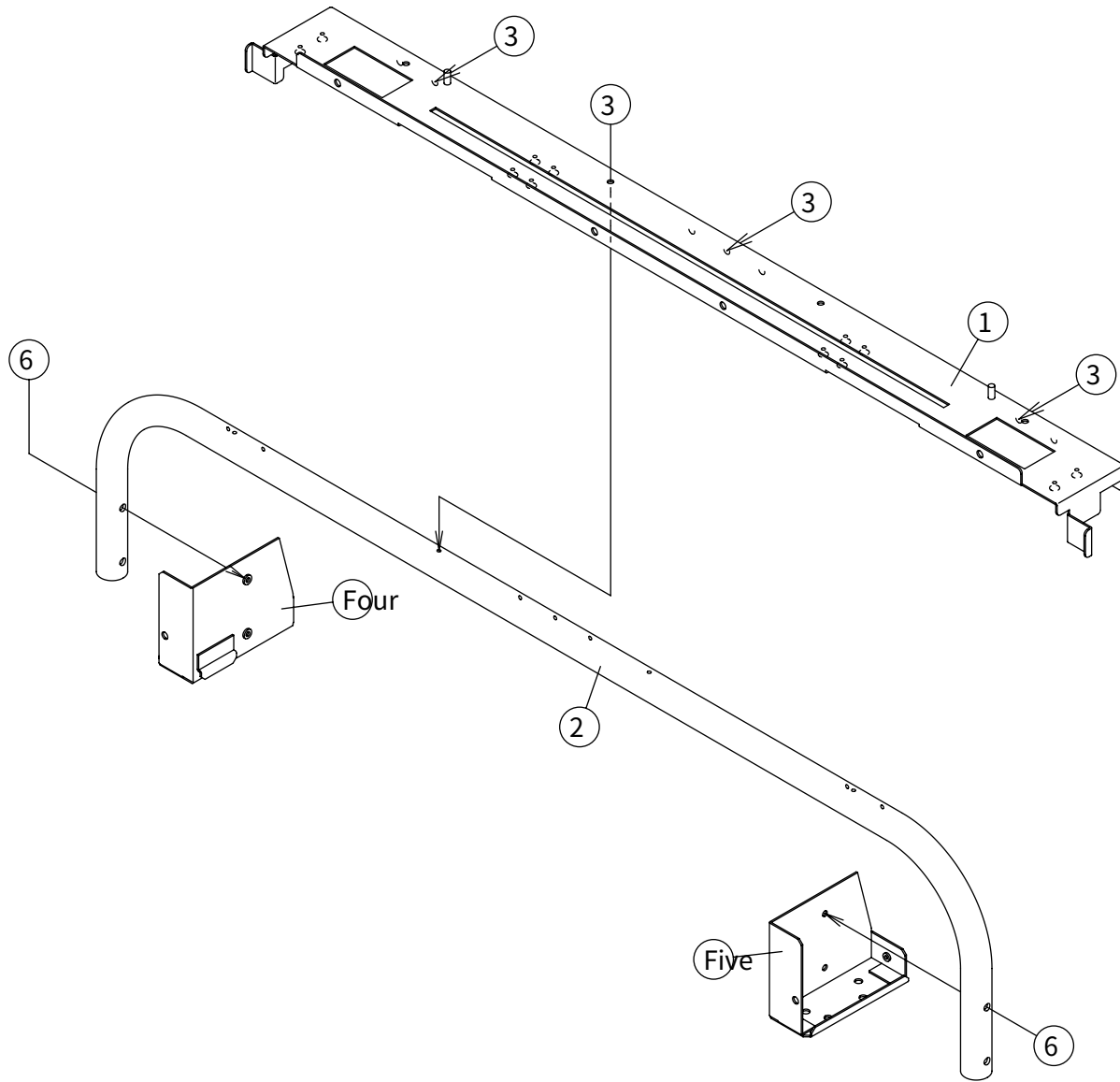
SID



PARTS LIST

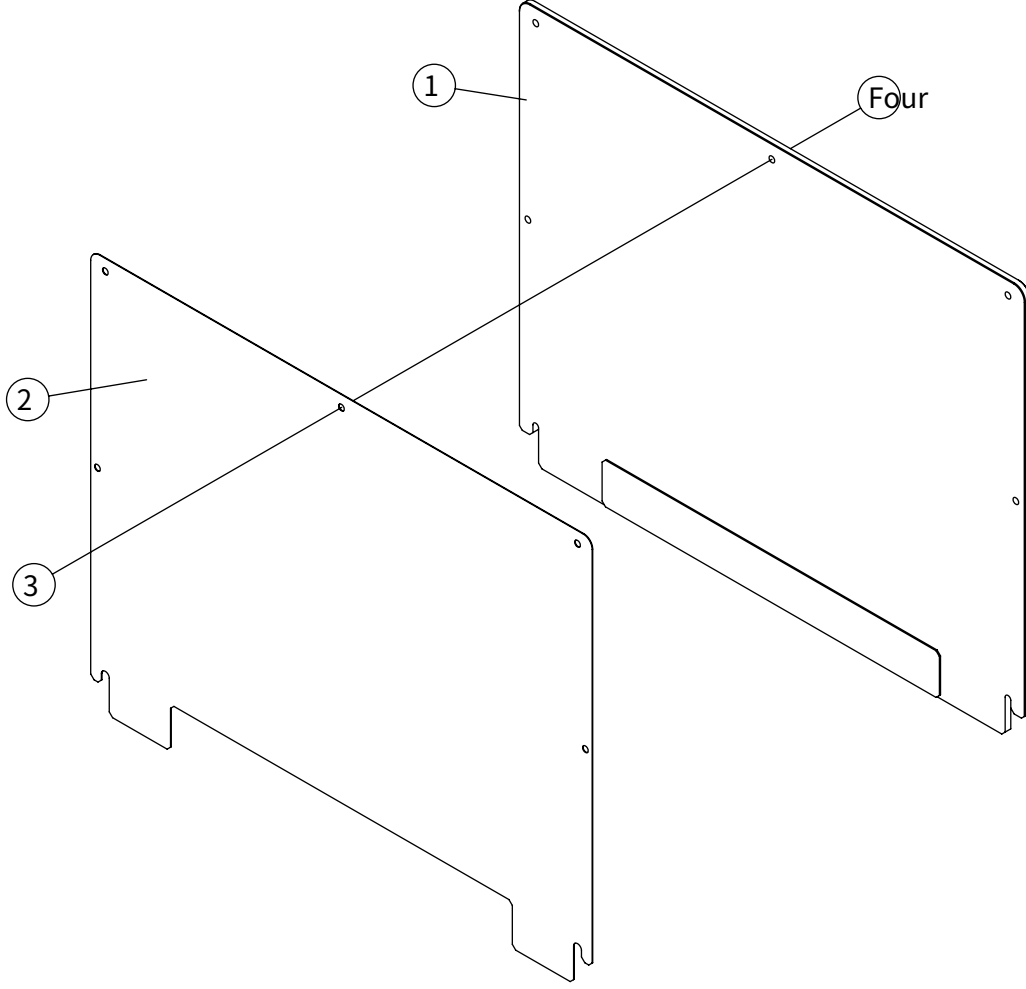
No.	PARTS No.	PARTS LIST	QTY
1	E3018365A	SIDE COVER BASE-R E3018376A	1
2		MIDDLE COVER GUIDE-R	1
3		PAN HD SEMUTH SCREW-W-	Four
4	(Trivalent) M4X8	F9008255A SIDE COVER-R- (BLUE)	1
5		BIND HD TAP TIGHT-P- (Trivalent)	3
6	3X8 E3101523B	MIDDLE SIDE COVER-R	1
7			
8			
9			
10			
11			
12			
13			
14			
15			
16			
17			
18			
19			
20			
21			
22			
23			
24			
25			

SID



PARTS LIST

No.	PARTS No.	PARTS LIST	QTY
1	E3018355A LED	PCB BASE	1
2	E9001444B	TITLE PIPE	1
3		PAN HD SEMUTH SCREW-W-	7
4	(Trivalent) M3X8	E3018371A TOP COVER	1
5	BRACKET-L E3018372A	TOP COVER BRACKET-R	1
6		PAN HD SEMUTH SCREW-W- (Trivalent) M4X25	Four
7			
8			
9			
10			
11			
12			
13			
14			
15			
16			
17			
18			
19			
20			
21			
22			
23			
24			
25			



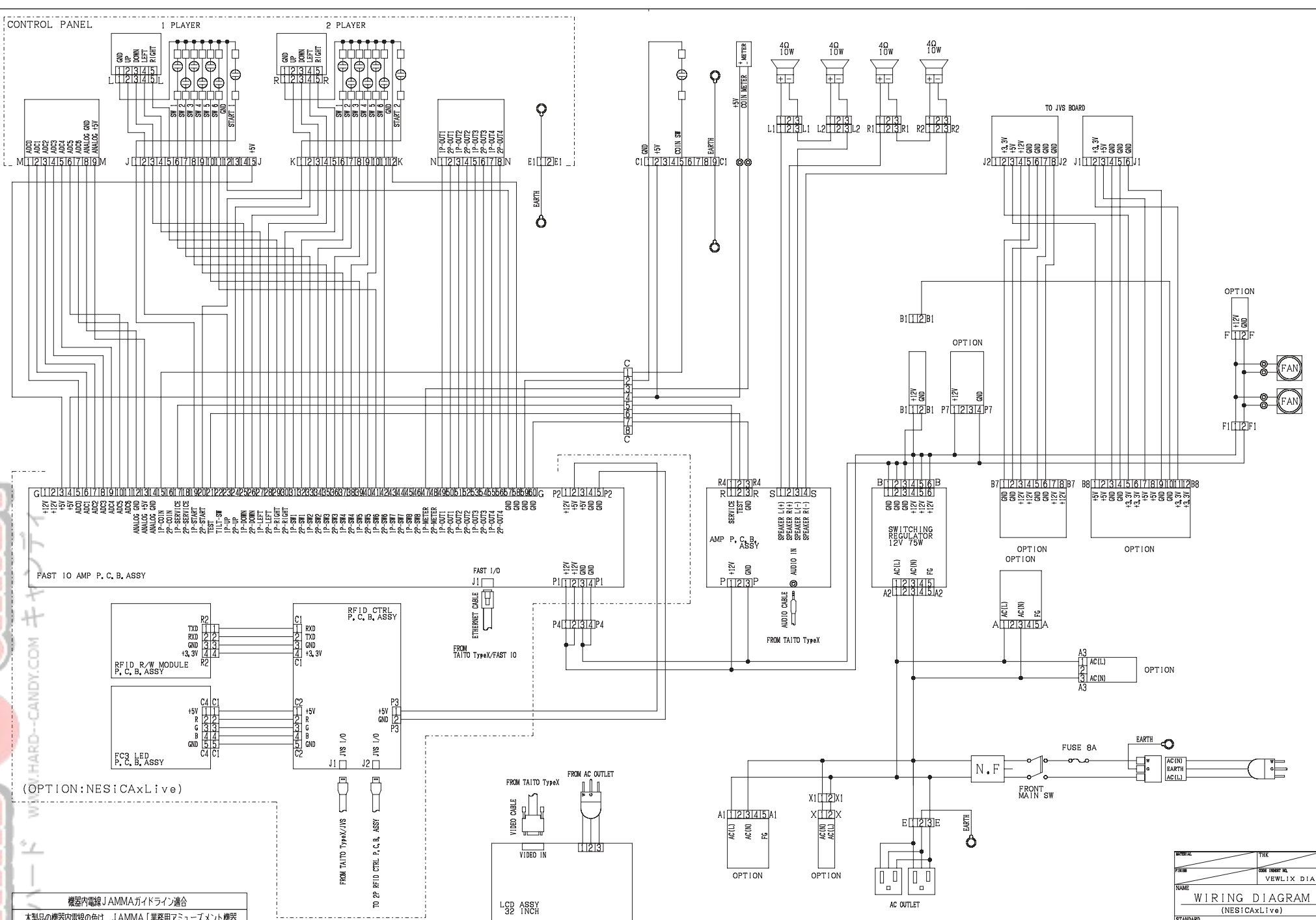
PARTS LIST

No.	PARTS No.	PARTS LIST	QTY
1	F9007604A	INSTRUCTION PANEL VEVLIX L	1
2	F9007071A	INSTRUCTION COVER	1
3		TRUSS HD SCREW- <Chrome> M4X10	Five
4		HEX CAP NUT- <Chrome> M4	Five
5			
6			
7			
8			
9			
10			
11			
12			
13			
14			
15			
16			
17			
18			
19			
20			
21			
22			
23			
24			
25			

INS

Wiring diagram

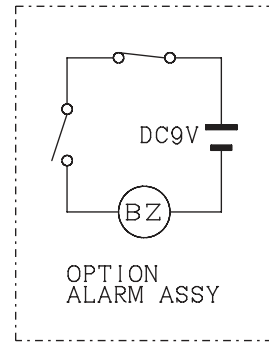
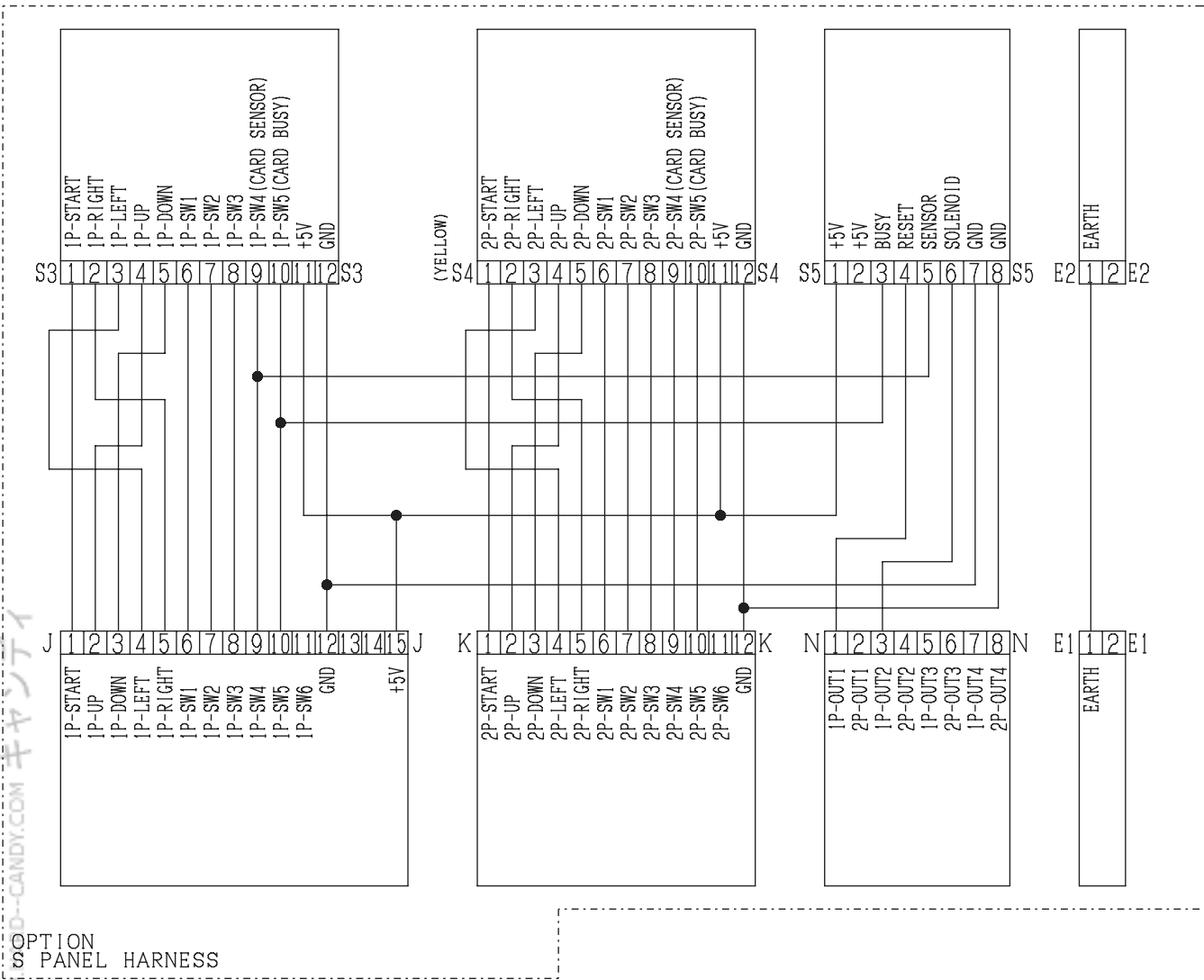
HARD CANDY



(OPTION: NESiCAXLive)

機器内電線 JAMMAガイドライン適合
 本製品の機器内電線の色は、JAMMA「業務用アミューズメント機器の機器内電線の色による識別ガイドライン」に適合しています。

MODEL	TYPE
FIGURE	CON. THEORY NO.
NAME	VIEW:IX DIA
WIRING DIAGRAM (NESiCAXLive)	
STANDARD	
PART NO.	REV.
W1000546A	2-1



OPTION PANEL HARNESS

MATERIAL	THK
FINISH	CODE INDENT NO. VEWLIX DIA
NAME WIRING DIAGRAM (NESiCAxLive)	
STANDARD	
PART NO. W1000546A	SHEET 2-2

When requesting repairs or ordering parts, the "First-out Request Order Form" attached to the next page "Business trip repair request purchase order" Maintenance Nonce Parts Purchase Order Please fill in the required items on the "In-kind Repair Request Form" and fax it to us (please copy the form and use it).

For inquiries regarding the handling of this machine, please contact us.

The supply period of the parts of this product will be 5 years after the production is discontinued.

However, please note that some parts may not be available for order even during the supply period due to unavoidable reasons. The supply period may be extended in consideration of customer demand.

For more information, please contact us.

[Contact]

(株) タイトー TECH事業部

〒243-0498 神奈川県海老名市下今泉 3-11-1

PHONE 046-235-9510(代表) FAX 046-235-9882

受付時間：平日9時～12時、13時～18時 (NESYSご契約窓口は17時00分まで)
：土曜日は一部窓口の対応、日曜祝日は全休となります。

●代表番号着信後、各担当への接続は電話機のプッシュボタンで番号を選択して頂きます。

- ①番を選択・・・サービスセンター(故障・先貸出し・訪問修理お問い合わせ窓口)
e-mail : service-info@taitotech.com
- ②番を選択・・・パーツセンター(メンテナンスパーツ)
e-mail : parts-info@taitotech.com
- ③番を選択・・・リペアセンター(現物修理)
- ④番を選択・・・ネットワークゲーム契約関連お問い合わせ窓口 (NESYSご契約窓口)
- ⑤番を選択・・・その他 お問い合わせ窓口

※年末年始・GW・お盆期間中の対応につきましては別途ご案内致します。

※通話料金はおお客様のご負担になります。

本取扱説明書の記載事項に変更が生じた場合も下記Webサイトに掲載いたします。

TAITOTECH (タイトーテック) <http://www.taitotech.com/>

※Webサイトで利用にはユーザー登録が必要です。(登録料無料)

requested date: _____ Year _____ Month _____ Day _____

First-out request purchase order

Order NO _____

Taito TECH Division 3-11-1 Shimoimaizumi, Ebina City, Kanagawa Prefecture 243-0498 TEL: 046-235-9510 e-mail: service-info@taitotech.com	Service center FAX: 046-235-9882
---	--

* Machine name entry field (please be sure to fill in)

* Machine number entry field (please be sure to enter)

* Failure details entry field (please specify)

* Requested item entry field

part number	Department	Goods	Name	quantity	Equipment	Consideration
1						
2						
3						

* Requester

Request source name:	Person in charge:	TEL:
		FAX:
Address: 〒		

* Delivery destination Same as the requester Same as billing address

Delivery name:	Person in charge:	TEL:
		FAX:
Address: 〒		

* Billing address Same as the requester Same as the delivery destination

Billing name:	Person in charge:	TEL:
		FAX:
Address: 〒		

Desired shipping date:

Year _____ Month _____

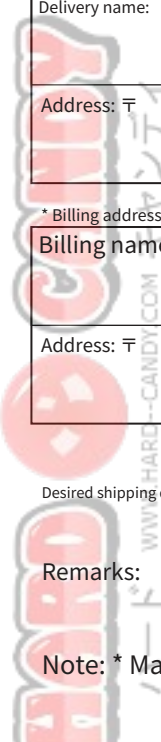
Day _____

Shipping freight: Cash on delivery

Advance payment

Remarks:

Note: * Mark



Maintenance parts purchase order

requested date: _____ Year _____ Month _____ Day _____

Order NO _____

Taito TECH Division 3-11-1 Shimoimaizumi, Ebina City, Kanagawa Prefecture 243-0498 TEL: 046-235-9510 e-mail: parts-info@taitotech.com	Parts center FAX: 046-235-9882
---	--

Requester

Request source name:	Person in charge:	TEL:
		FAX:
Address: 〒		

Delivery destination Same as the requester Same as billing address

Delivery name:	Person in charge:	TEL:
		FAX:
Address: 〒		

Billing address Same as the requester Same as the delivery destination

Billing name:	Person in charge:	TEL:
		FAX:
Address: 〒		

Request item entry field

No.	part number	Department	Goods	Name	quantity	Equipment	Consideration
1							
2							
3							
Four							
Five							
6							
7							
8							

Desired shipping date: _____ Year _____ Month _____ Day _____

Check if you wish to ship in bulk
(It will be shipped after all are complete)

Shipping freight: Cash on delivery Advance payment

Payment method: Billing lump sum payment Cash on delivery

Remarks:



On-site repair request purchase order

requested date: _____ Year _____ Month _____ Day _____

Order NO _____

Taito TECH Division	Service center
3-11-1 Shimoimaizumi, Ebina City, Kanagawa Prefecture	
243-0498 TEL: 046-235-9510	FAX: 046-235-9882
e-mail: service-info@taitotech.com	

* Machine name entry field (please be sure to fill in)

* Machine number entry field (please be sure to enter)

* Failure details entry field (please specify)

* Requester

Request source name:	Person in charge:	TEL:
		FAX:
Address: 〒		

* Visit destination Same as the requester Same as billing address

Visit name:	Person in charge:	TEL:
		FAX:
Address: 〒		

* Billing address Same as the requester Same as the delivery destination

Billing name:	Person in charge:	TEL:
		FAX:
Address: 〒		

Desired visit date: _____ Year _____ Month _____ Day _____

Remarks:

Note: Please be sure to fill in the items marked with *.

Below is our entry field

Thank you for your request. The visit schedule is as follows.

vinegar.

Visit date, etc.

In-kind repair request form

requested date: _____ Year _____ Month _____ Day _____

Request form NO: _____

<p>Taito TECH Division</p> <p>3-11-1 Shimoimaizumi, Ebina City, Kanagawa Prefecture 243-0498 TEL: 046-235-9510 FAX: 046-235-9882 e-mail: parts-info@taitotech.com</p>	<p>Repair center</p>
---	-----------------------------

* Machine name entry field (please be sure to fill in)

* Machine number entry field (please be sure to enter)

* Repair request product unit name entry field (please be sure to fill in)

* Unit serial number entry field

* Failure details entry field (please specify)

(Our entry field)

Estimate	Need	Unnecessary
----------	------	-------------

Estimated amount	¥
------------------	---

Note: The estimated amount may differ from the billed amount as it is only an approximation.

* Requester

Request source name:	Person in charge:	TEL:
		FAX:
Address: 〒		

* Delivery destination Same as the requester Same as billing address

Delivery name:	Person in charge:	TEL:
		FAX:
Address: 〒		

* Billing address Same as the requester Same as the delivery destination

Billing name:	Person in charge:	TEL:
		FAX:
Address: 〒		

Shipping freight: <input type="checkbox"/> Cash on delivery <input type="checkbox"/> Advance payment
--

Payment method: <input type="checkbox"/> Billing lump sum payment <input type="checkbox"/> Cash on delivery

Remarks:

note:



株式会社 **タイトー**®

Headquarters 3-22-7 Yoyogi, Shibuya-ku, Tokyo

© TAITO CORP. 2010 PRINTED IN JAPAN

無断転載を禁じます。