

HARD CANDY

WWW.HARD-CANDY.COM F.F.



WUOL'S'N WUOSTS



INSTRUCTION MANUAL

WARNING

**THIS GAME MUST BE GROUNDED. FAILURE TO DO SO MAY
RESULT IN DESTRUCTION TO ELECTRONIC COMPONENTS.**

WARNING: This equipment generates, uses, and can radiate radio frequency energy and if not used in accordance with the instructions manual, may cause interference to radio communications. It has been tested and found to comply with the limits for a CLASS A computing device pursuant to SUBPART J and PART 15 of FCC RULES, which are designed to provide reasonable protection against such interference when operated in a commercial environment. Operation of this equipment in a residential area is likely to cause interference in which case the user at his own expense will be required to take whatever measures may be required to correct the interference.

CAPCOM, USA INC.

Invites You To Use

OUR TOLL FREE NUMBER FOR
SERVICE INFORMATION CONCERNING THIS GAME, OR ANY
OTHER CAPCOM GAME YOU NOW HAVE ON LOCATION.

CALL US FOR PROMPT, COURTEOUS
ANSWERS TO YOUR PROBLEMS.

California Only	(800) 222-0928
Continental U.S.	(800) 843-4632
Direct Number	(408) 727-0400

HARD CANDY

キャンディ

WWW.HARD-CANDY.COM

HARD

ハード

Table of Contents

Ghouls'n Ghosts Story	1
DIP Switch Settings	2
Location & Set Up	3
Coin Door Maintenance	4
Control Panel Buttons	5
Coin Control Joystick Assembly	6
WICO Joystic Assembly	7
Main AC Wiring Diagram	8
Service Information On Monitor	9
Jamma Connector	21
Warranty	22





STORY:

Three years have passed since the evil ones came to do their dirty work. That was just the beginning . . . Now they're back! They have abducted the Princess, and King Arthur must once again take spear in hand and head for the land of GHOULS'N GHOSTS.

In this 1 or 2-player game, Arthur's attack area is expanded—he can now strike at enemies above and below him, as well as on either side. Arthur's weapons include his spear, a knife, an axe, a sword, a spiked flying disc, and napalm bombs. And this time, Arthur can don magic armor to unleash the power of sorcery against his foes!

**Introducing Capcom's
new Computer-Aided Difficulty Adjustment,
which automatically adjusts to each player's skill level!**

GHOULS'N GHOSTS

• DIP SW (A)

ITEM	DESCRIPTION	1	2	3	4	5	6	7	8
COIN 1	1 COIN 1 CREDIT	OFF	OFF	OFF					
	1 COIN 2 CREDIT	ON	OFF	OFF					
	1 COIN 3 CREDIT	OFF	ON	OFF					
	1 COIN 4 CREDIT	ON	ON	OFF					
	1 COIN 6 CREDIT	OFF	OFF	ON					
	2 COIN 1 CREDIT	ON	OFF	ON					
	3 COIN 1 CREDIT	OFF	ON	ON					
4 COIN 1 CREDIT	ON	ON	ON						
COIN 2	1 COIN 1 CREDIT				OFF	OFF	OFF		
	1 COIN 2 CREDIT				ON	OFF	OFF		
	1 COIN 3 CREDIT				OFF	ON	OFF		
	1 COIN 4 CREDIT				ON	ON	OFF		
	1 COIN 6 CREDIT				OFF	OFF	ON		
	2 COIN 1 CREDIT				ON	OFF	ON		
	3 COIN 1 CREDIT				OFF	ON	ON		
4 COIN 1 CREDIT				ON	ON	ON			

Computer aided difficulty adjustment.

Ghouls'n Ghosts contains 16 internal level settings. 1 being most easy and 16 being most difficult. 8 external adjustable difficulty settings set the internal automatic adjustments. Example: Very easy external starts at internal level 3. If player is still playing after 1 minute, 30 seconds, internal difficulty is raised to level 4 and increases every 10 seconds. If player dies before 1 minute, 30 seconds; level is automatically dropped to internal difficulty setting 2. Goes then for 1 minute, 30 seconds, then raises to internal setting 3 again.

• DIP SW(B)

ITEM	DESCRIPTION		1	2	3	4	5	6	7	8
DIFFICULTY	VERY EASY ↑ NORMAL ↓ VERY DIFFICULT	A	ON	ON	OFF	Starts at level 3+ 1 min, 30 sec, then every 10 sec.				
		B	OFF	ON	OFF	Starts at level 3+ 1 min, then every 15 sec.				
		C	ON	OFF	OFF	Starts at level 6+ 1 min, 30 sec, then every 10 sec.				
		D	OFF	OFF	OFF	Starts at level 6+ 1 min, then every 15 sec.				
		E	OFF	OFF	ON	Starts at level 6+ 1 min, then every 10 sec.				
		F	ON	OFF	ON	Starts at level 6+ 45 sec, then every 15 sec.				
		G	OFF	ON	ON	Starts at level 9+ 1 min, then every 10 sec.				
		H	ON	ON	ON	Starts at level 9+ 45 sec, then every 15 sec.				
BONUS (EXTEND)		* (A)					OFF	OFF		
		(B)					ON	OFF		
		(C)					OFF	ON		
		(D)					ON	ON		

* (A) 30,000, 60,000, EVERY 70,000 (B) 10,000, 30,000, EVERY 30,000
 * (C) 20,000, 50,000, EVERY 70,000 (D) 40,000, 70,000, EVERY 80,000

• DIP SW (C)

ITEM	DESCRIPTION	1	2	3	4	5	6	7	8
NUMBER OF PLAYER	3	OFF	OFF						
	4	ON	OFF						
	5	OFF	ON						
	6	ON	ON						
SCREEN	NORMAL					OFF			
	FLIP					ON			
SOUND DURING DEMONSTRATION	YES						OFF		
	NO						ON		
CONTINUE	YES							OFF	
	NO							ON	
TEST MODE	GAME MODE								OFF
	TEST MODE								ON

*RECOMMENDED SETTING "B"

*FACTORY SETTING



Location and Setup

INSPECTION

1. Remove the game from its shipping crate.
2. Inspect the entire outside of it for any signs of damage.
 - Any scratches?, dents?, cracks?
 - Any broken controls?
 - Just look it over closely and make a note of any signs of damage.
3. Remove the shipping cleats from the bottom of the cabinet.
4. Install the four levelers, one at each corner of the cabinet.
 - Level the cabinet.
5. Open the cabinet and inspect the inside of the game for any signs of damage.
 - Also check to make sure all plug-in connectors on the wire harness are firmly seated.
 - Replug any connectors found unplugged. **DO NOT FORCE PLUGS ONTO CONNECTORS. DO NOT FORCE PLUGS TOGETHER.** If it won't go on easily, assuming the keys are lined up, it either does not belong there or is damaged.
 - Make sure all printed circuit boards (P.C.B.'s) are firmly seated in their connectors. These connectors are also keyed. The P.C.B.'s will only go into them one way without being damaged.
 - Note the location of the game's serial number.
 - Check all major subassemblies to be sure they are mounted securely.

Power supply.

Control panel(s).

TV. monitor.

Other P.C.B.'s and/or P.C.B. rack, etc.

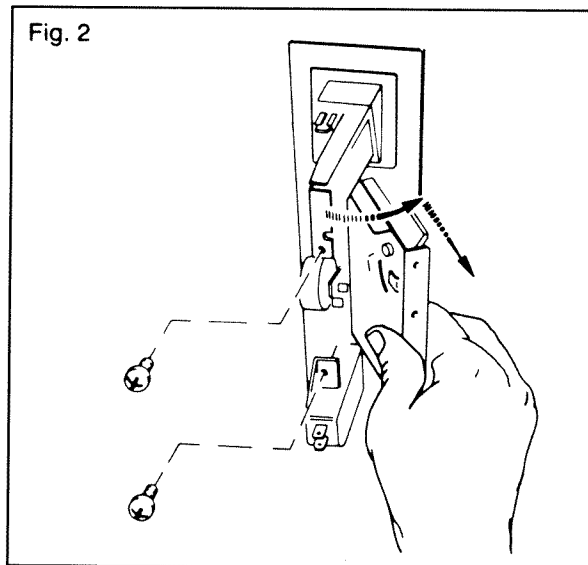
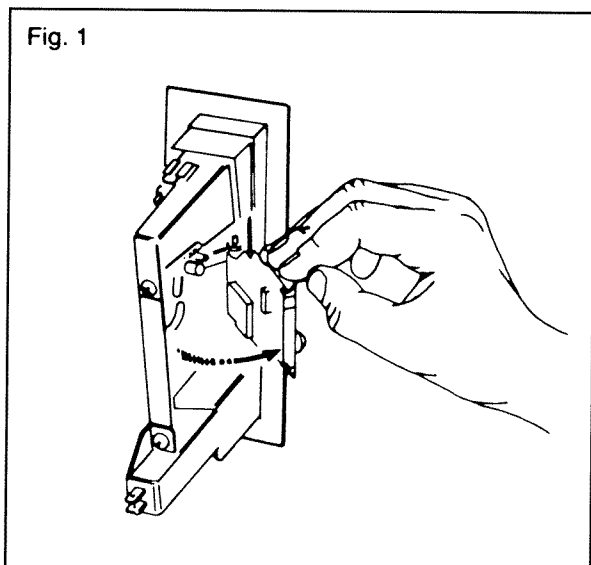
Power Chassis.

6. Make a note of any problems that can't be easily corrected.
7. Call your distributor and/or service man about your problem list.

NOTE: All connectors or plugs are key so they will only go together when all pins are properly lined up.



Coin Door Maintenance



The magnet that is fitted to the mechanism, should be kept clean from foreign particles. The magnet can be cleaned by swinging the gate open (as shown in Fig. 1). Remove metal filings from the magnet by guiding the point of a screwdriver along the edges of the magnet, such that the filings cling to the screwdriver.

The mechanism can be cleaned by immersing in water using a small brush to clean the mechanism. Rinse the mechanism with boiling water and dry with compressed air.

NOTE: Since the Gold Mech relies on coins passing the magnet at a constant speed, the rejector must be free of dirt and grease which may slow down the coins. Do not lubricate the acceptor with oil as this slows down coins.

If the above procedures are not successful, check for worn, bent or damaged parts and replace where necessary.

Removal of Mechanism

To remove the coin selector: Unscrew the two screws (as shown in Fig. 2) — swing rear of selector body away from the lock-out side and withdraw.

The Gold Mech Acceptors are designed to require a minimum of maintenance and field adjustment. Coins are checked by diameter and thickness, weight, metal content, bounce, and for ferromagnetic coins such as nickel and steel, a rim test is also used.

Coin Switch

The coin switch comes in two different spring tensions — identified by the color of the plastic boss at the wire's pivot point.

Red: Light tension — U.S. 25¢

White: Heavy tension — heavy foreign coins

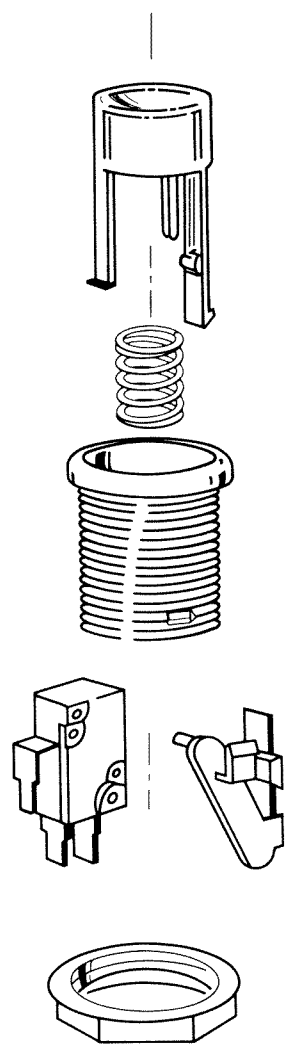
CANDY



HARD

WWW.HARD-CANDY.COM #キャンティ
ハード

* HAPP CONTROL BUTTON



* WHERE APPLICABLE

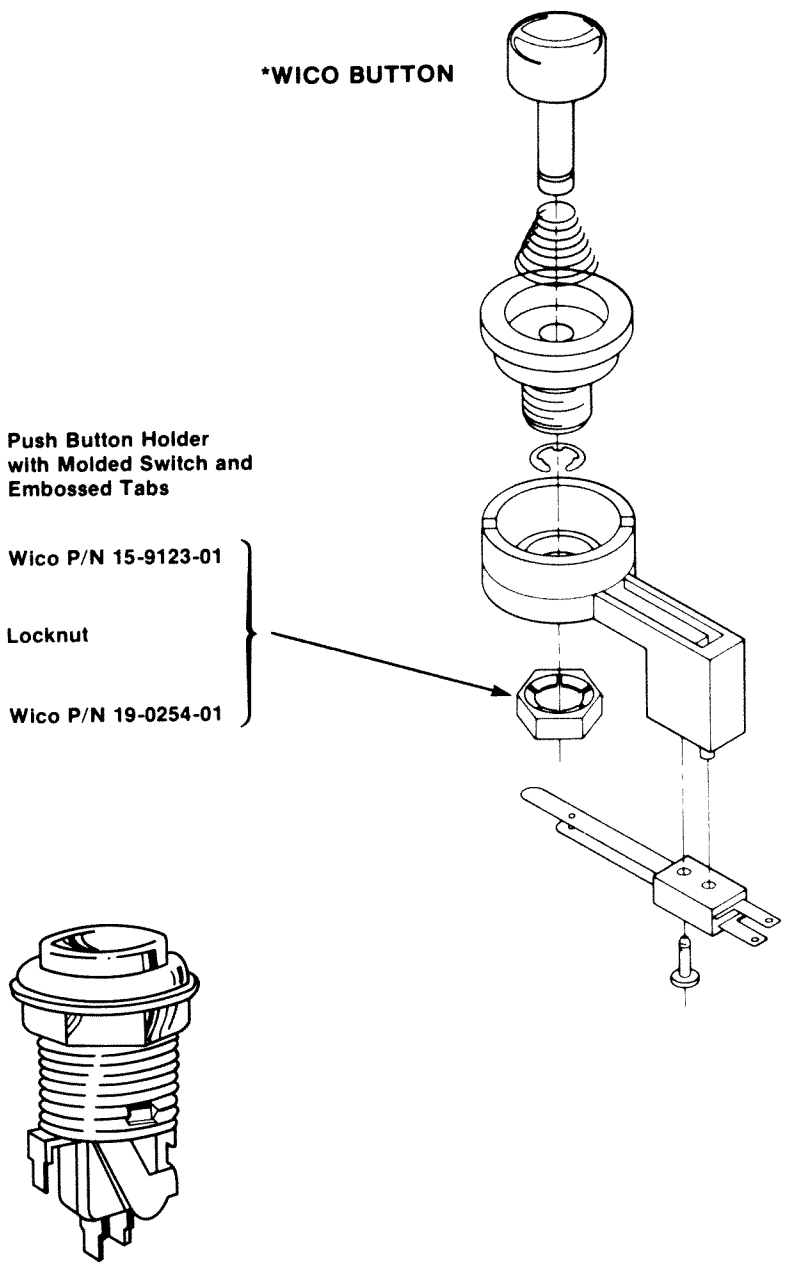
*WICO BUTTON

Push Button Holder
with Molded Switch and
Embossed Tabs

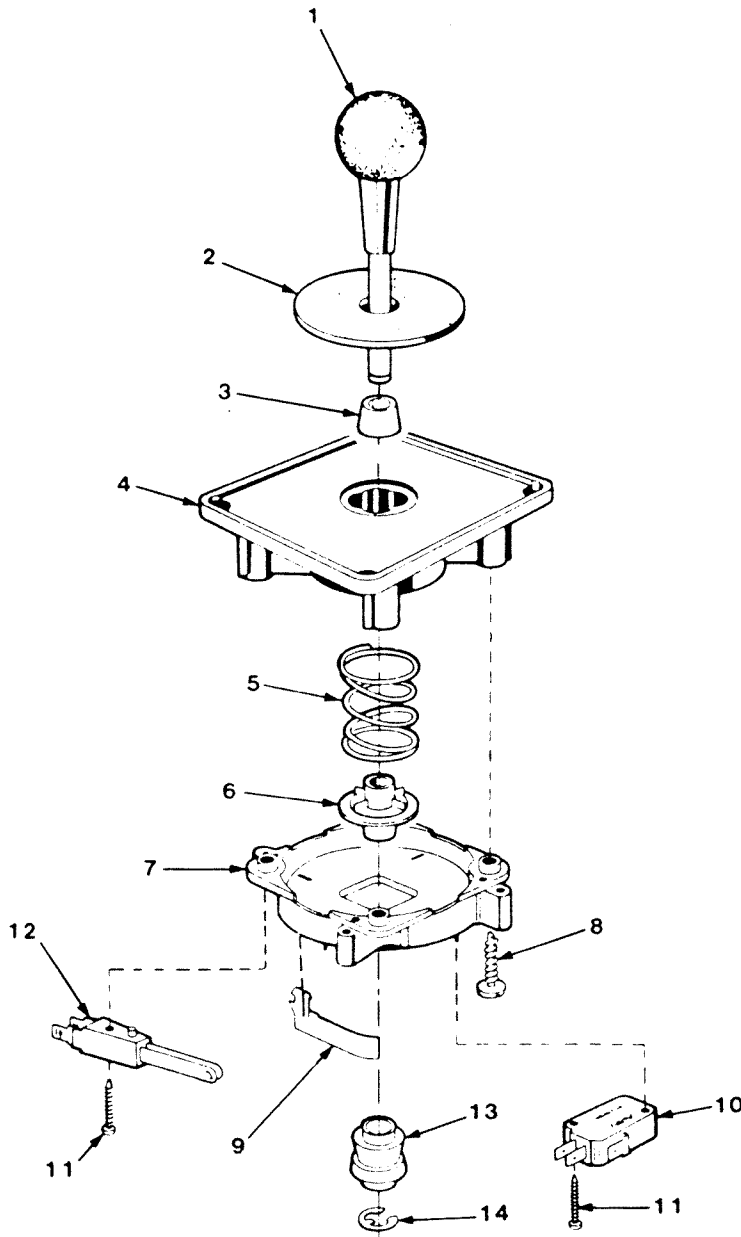
Wico P/N 15-9123-01

Locknut

Wico P/N 19-0254-01



COIN CONTROL JOYSTICK *

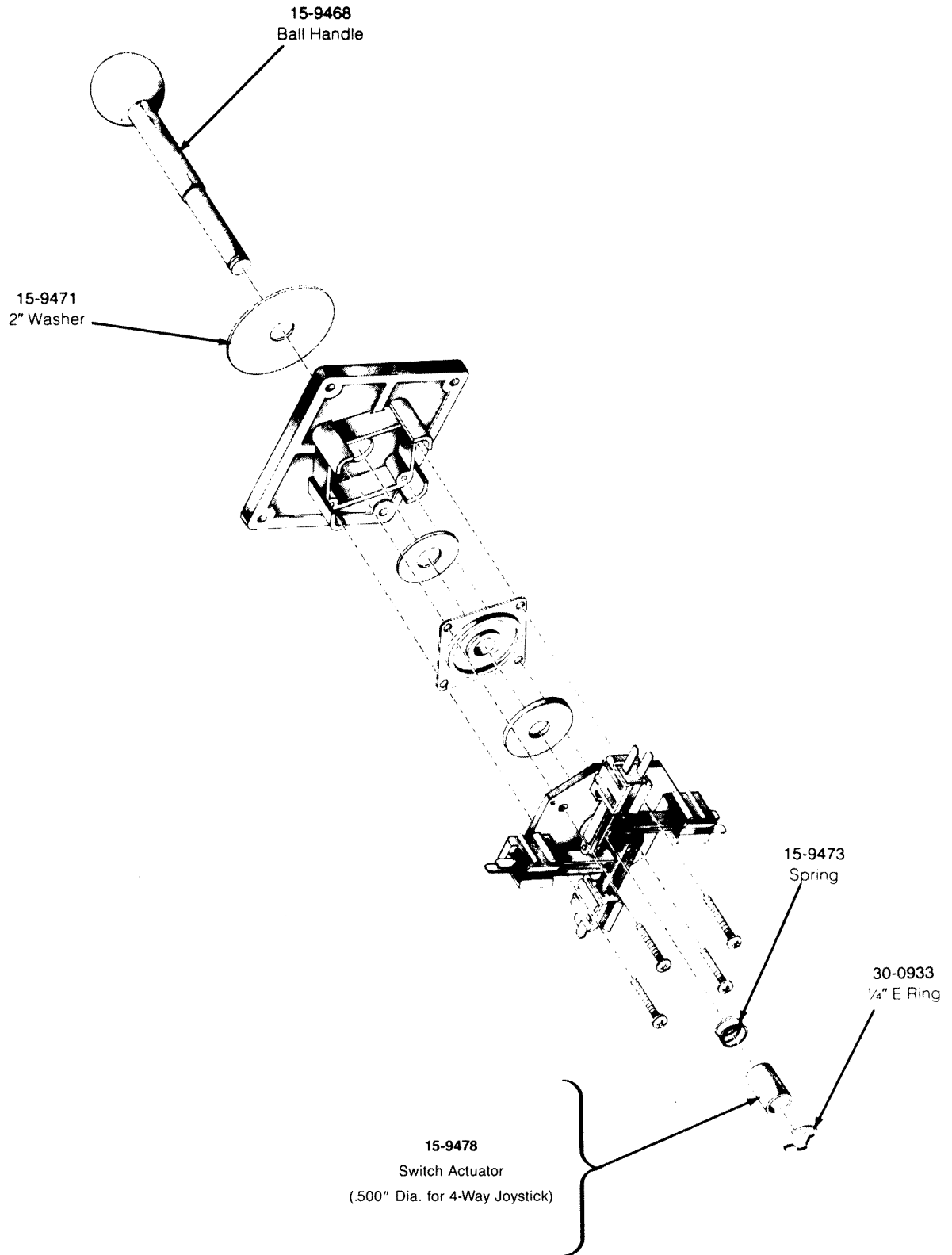


ITEM NO.	DESCRIPTION
1	1.25" Knob & Shaft
2	2" Washer
3	Pivoi Cone
4	S.T. Nylon Hub
5	Return Spring
6	Spring Bushing
7	Switch Mount Bracket
8	Screw #10 x 3/4"
9	Switch Protector
10	Micro Switch
11	Screw #4 x 3/4"
12	Side Mount Switch
13	4 Way Actuator
14	E-Ring



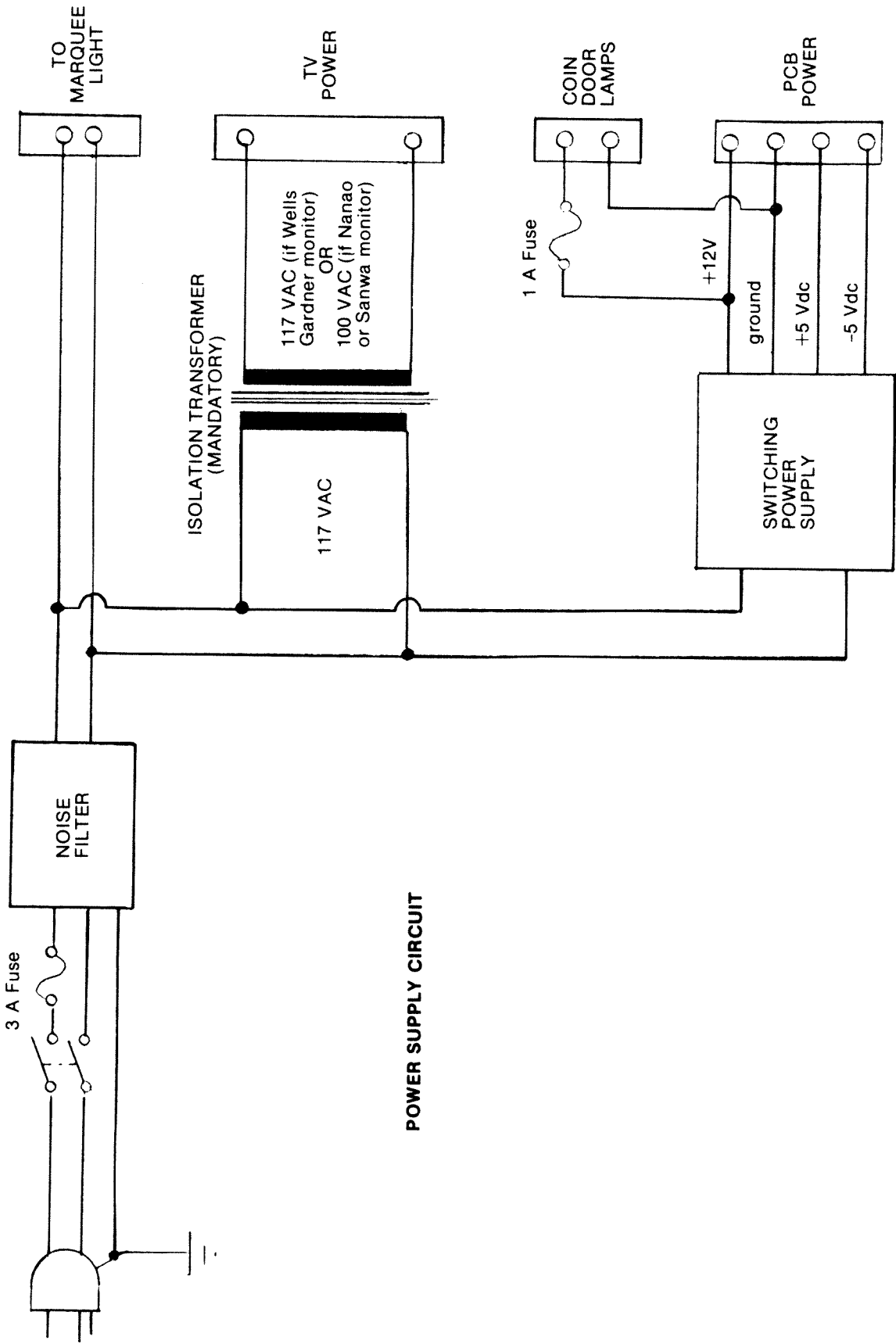
* Where Applicable

WICO JOYSTICK *

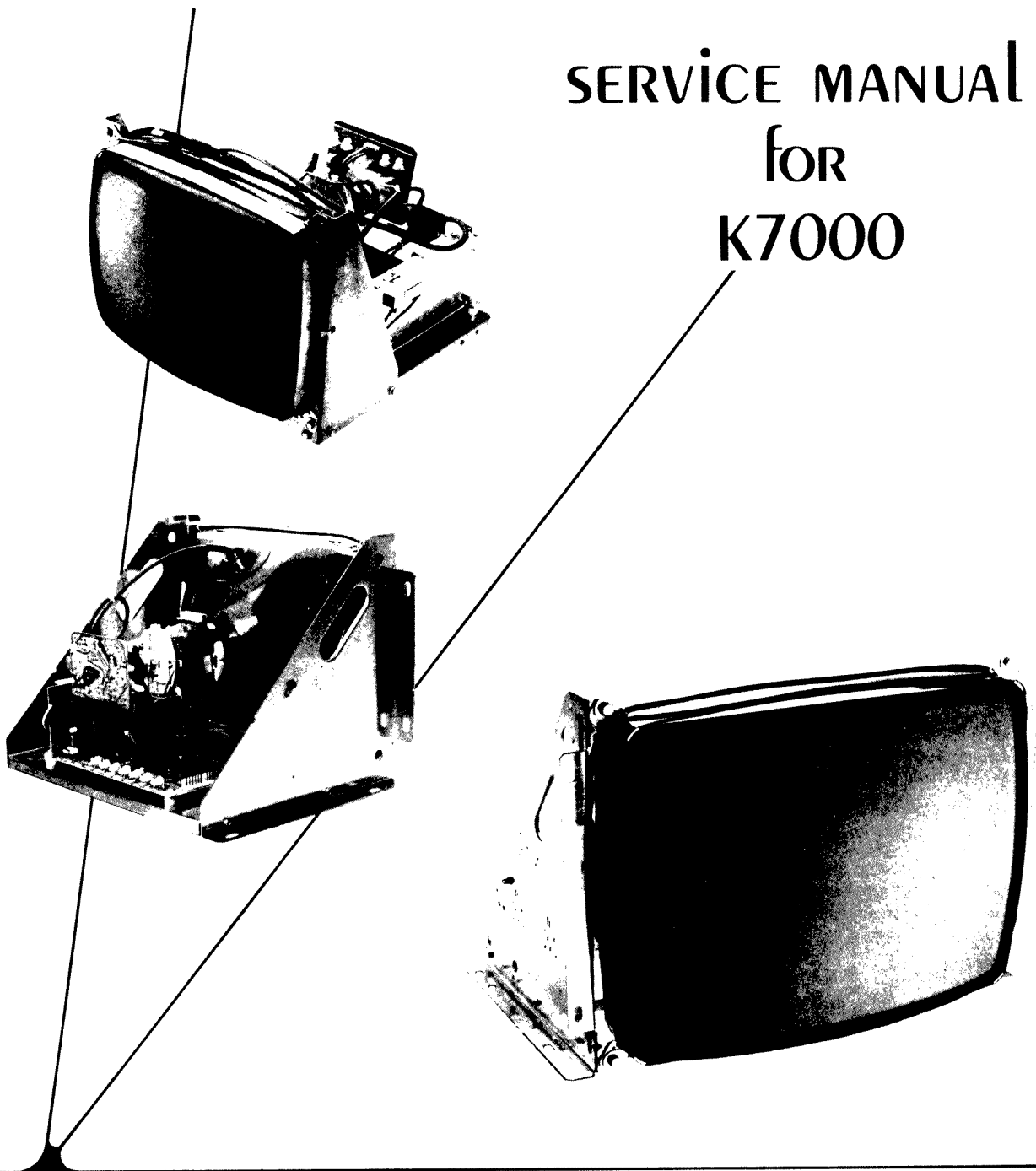


Wico Joystick Assembly (700-0163-01)

* Where Applicable



SERVICE MANUAL FOR K7000



HARD  **CANDY**

ハード キャンディ
WWW.HARD-CANDY.COM

**WELLS-GARDNER ELECTRONICS
CORPORATION**

2701 N. KILDARE, CHICAGO, IL 60639
312/252-8220 TELEX: 25-3286
FAX: 312-252-8072

SERVING CONSUMER AND INDUSTRIAL ELECTRONICS FOR MORE THAN 60 YEARS

THE PRISMATIC™

BY
WELLS-GARDNER

COLOR SPECIFICATIONS

CRT

- From 9" to 25" diagonal measure
- P22 phosphor
- Polished faceplate standard: variety of optional faceplates and transmittances available.
- Stripe trio spacings (standard): 0.62 mm (9"), 0.66 mm (13"), 0.82 mm (19"), 0.82 mm (25").
- Optional finer pitches available.

INPUT SIGNALS

- Video: RGB analog, 1v to 5v peak-to-peak (adjustable with contrast control), 4.7k ohm input impedance, 40 usec to 50 usec active video.

Optional inputs available:

- Negative video
- RGB analog 0-0.75v, 75 ohm input impedance
- Composite video (NTSC)
- Both composite video and RGB analog: Both signal sources can be connected to the monitor at the same time. Monitor display can be switched from one to the other, at anytime at pixel or vertical frame rate.
- Sync: TTL positive or negative going, separate or composite. Input impedance: 20K ohms for positive going sync; 12K ohms for negative going sync.

HORIZONTAL SCAN

- Width: Adjustable with just one coil to accommodate active video from 40 usec to 50 usec.
- Frequency: 15.1 kHz to 16.8 kHz standard, higher scan frequencies available.
- Linearity: $\pm 5\%$

PICTURE SIZE REGULATION

- $\pm 2\%$

VERTICAL SCAN

- Frequency: 47 Hz to 63 Hz
- Linearity: $\pm 5\%$

GEOMETRIC DISTORTION

- $\pm 2\%$ (max).

VIDEO CHARACTERISTICS

- Bandwidth (-3 db): 12 MHz typical
- Rise Time: Less than 50 nanoseconds
- Overshoot (max): 5%

MECHANICAL

- The 19" monitor is also available in universal mount brackets. The monitor can be mounted in the user's cabinet horizontally or vertically. Contact your sales representative for details.
- The standard Prismatic-25" 25" monitor is available as a kit without a frame. Custom frames can be furnished.
- The standard Prismatic-9" 9" monitor is available as a kit without a frame. Also available in chassis form adaptable to individual customer requirements.
- Contact your sales representative for details.

USER ADJUSTABLE CONTROLS AND ADJUSTMENTS

- Brightness, Contrast, Horizontal Hold, Horizontal Size, Horizontal Raster Position, Horizontal Video Position, Vertical Hold, Vertical Size, Vertical Raster Position, Focus. Custom Control Location available.

POWER INPUT

- 120 VAC +10% -15%, 50-60 Hz, 85W (max). Isolation transformer required; furnished with monitor as an option.

ENVIRONMENTAL CONDITIONS

- Operating temperature 0° to 55°C. Complies with U.L., C.S.A., and D.H.H.S. radiation performance standard (composite video).

RESOLUTIONS

- | | |
|----------------------------|------------------------|
| • Standard CRT | • Fine Pitch CRT |
| 9" 280 Pixels x 240 Lines | 410 Pixels x 240 Lines |
| 13" 400 Pixels x 240 Lines | 640 Pixels x 240 Lines |
| 19" 400 Pixels x 240 Lines | 640 Pixels x 240 Lines |
| 25" 560 Pixels x 240 Lines | N. A. |

Copyright © 1987.
Wells-Gardner Electronics Corporation.
All rights reserved.

***** SPECIFICATIONS ARE SUBJECT TO CHANGE IN ORDER TO ASSURE YOU THE LATEST IN DISPLAY TECHNOLOGY.*****



WWW.HARD-CANDY.COM

THIS MANUAL APPLIES TO THOSE MONITORS WITH SERIAL NUMBERS OF 576001 AND ABOVE.

WARNINGS

1. Power Up Warning-

An isolation transformer must be used between the AC supply and the AC plug of the monitor before servicing, testing, or operating the monitor since the chassis and the heat sink are directly connected to one side of the AC line which could present a shock hazard.

Before servicing is performed, read all the precautions labelled on the CRT and chassis

2. **X-RAY RADIATION WARNING NOTICE**

WARNING : PARTS WHICH INFLUENCE X-RAY RADIATION IN HORIZONTAL DEFLECTION, HIGH VOLTAGE CIRCUITS AND PICTURE TUBE ETC. ARE INDICATED BY (★) IN THE PARTS LIST FOR REPLACEMENT PURPOSES USE ONLY THE TYPE SHOWN IN THE PARTS LIST.

3. High Voltage-

This monitor contains HIGH VOLTAGES derived from power supplies capable of delivering LETHAL quantities of energy Do not attempt to service until all precautions necessary for working on HIGH VOLTAGE equipment have been observed

4. CRT Handling-

Care must be taken not to bump or scratch the picture tube as this may cause the picture tube to implode resulting in personal injury. Shatter proof goggles must be worn when handling the CRT. High voltage must be completely discharged before handling. Do not handle the CRT by the neck.

5. **PRODUCT SAFETY NOTICE**

WARNING : FOR CONTINUED SAFETY REPLACE SAFETY CRITICAL COMPONENTS ONLY WITH MANUFACTURER RECOMMENDED PARTS. THESE PARTS ARE IDENTIFIED BY SHADING AND BY (△) ON THE SCHEMATIC DIAGRAM

AVERTISSEMENT: POUR MAINTENIR LE DEGRE DE SECURITE DE L'APPAREIL NE REMPLACER LES COMPOSANTS DONT LE FONCTIONNEMENT EST CRITIQUE POUR LA SECURITE QUE PAR DES PIECES RECOMMANDEES PAR LE FABRICANT

For replacement purposes, use the same type or specified type of wire and cable, assuring the positioning of the wires is followed (especially for H.V. and power supply circuits). Use of alternative wiring or positioning could result in damage to the monitor or in a shock or fire hazard.

AC CONNECTORS AND TERMINALS

ALL MONITORS EXCEPT THOSE WITH MODEL NUMBERS ENDING WITH 2 OR 6:

WELLS-GARDNER END

	WG. Part No.	Molex Part No.
Plug	6A0396-001	19-09-2029
Pins Male	30X0759-001	02-09-2101

USERS' END

Receptacle		19-09-1029
Pins, Female		02-09-1101*
		or 02-09-1116*

MODEL NUMBERS ENDING WITH 2:

WELLS-GARDNER END

	WG. Part No.	Molex Part No.
Plug	6A0376-002	03-09-2022
Pins, Male	30X0759-001	02-09-2101

USERS' END

Receptacle		03-09-1022
Pins, Female		02-09-1101*
		or 02-09-1116*

MODELS NUMBERS ENDING WITH 6:

WELLS-GARDNER END

	WG. Part No.	AMP Part No.
Receptacle	6A0402-001	350778-1
Pins, Male	30X0761-001	350538-1

USERS' END

Plug		350777-1
Pins, Female		350537-1 **
		or 350851-1 **

*-1101 is used for 20-14 AWG wire and insulation diameter range 0.065"-0.160"

-1116 is used for 22-18 AWG wire and insulation diameter range 0.060"-0.120"

** 350537-1 is used for 20-14 AWG wire and insulation diameter range 0.130"-0.200"

350851-1 is used for 24-18 AWG wire and insulation diameter range 0.040"-0.100"



USER ADJUSTMENTS

1. BRIGHTNESS CONTROL VR6

This control has been preset at the factory. However, when the video signal is applied to the monitor, a slight adjustment may be desired. Adjust this control such that the illumination is just barely extinguished from portions of the display which should be black.

2. CONTRAST CONTROL VR7

Adjust the contrast control for the desired picture intensity.

3. FOCUS CONTROL

Adjust the focus control, located on the high voltage unit (T1), for maximum over-all definition and fine picture detail.

4. HORIZONTAL HOLD CONTROL VR2

With the monitor being driven with the display signal, connect one jumper between TP1 and TP2 and another jumper between TP3 and TP4. Adjust the horizontal hold control until the picture stops sliding horizontally. Remove the jumpers. Do not use the horizontal hold control for horizontal centering. (See #5).

NOTE: If the sync signal is composite, use the horizontal sync input of the same polarity as the composite sync signal.

5. HORIZONTAL VIDEO SHIFT CONTROL VR1

Use this control to center the picture horizontally.

6. HORIZONTAL RASTER POSITION ADJUSTMENT

If the picture is off center horizontally (long dimension of picture tube), some compensation can be made by moving the horizontal raster position adjustment jumper either to positions "R" or "L".

7. HORIZONTAL SIZE COIL L1

The horizontal size coil is a hexagonal tuning tool adjustment. This control must be adjusted slowly, if necessary, until the picture or test pattern attains the correct horizontal proportions.

8. VERTICAL HOLD CONTROL VR5

Adjust this control until the picture stops rolling and it locks in vertically.

9. 50-60 Hz CONTROL VR9

This control is used to limit the range of vertical size. This control is preset at the factory and should not require re-adjustment unless the vertical size control or vertical hold control are readjusted from their original factory settings. In order to set this control, first adjust the vertical size control so that the picture is slightly larger than desired. Turn VR9 so that any vertical foldover which may be present will disappear. If the monitor is to be operated alternately at more than one vertical frequency, then perform this adjustment at the higher frequency.

10. VERTICAL SIZE CONTROL

This control must be adjusted slowly, if necessary, until the picture or test pattern attains the correct vertical proportions.

11. VERTICAL RASTER POSITION CONTROL VR3

If the video is off center vertically, (short dimension of picture tube) some compensation can be made by turning the vertical raster position control.

12. CUT OFF AND DRIVE CONTROLS ON NECK BOARD VR201, VR202, VR203, VR204, VR205, VR206.

These controls have been preset at the proper gray scale. Before adjusting any of these controls, refer to Troubleshooting Note 4 and to the White Balance procedure.

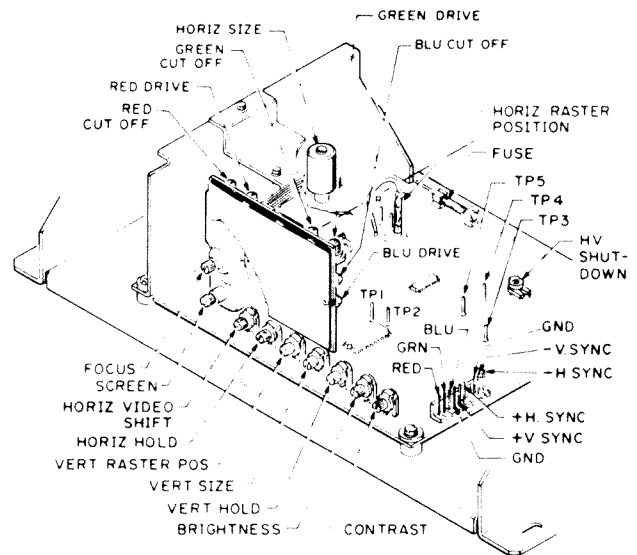


FIG. 1A

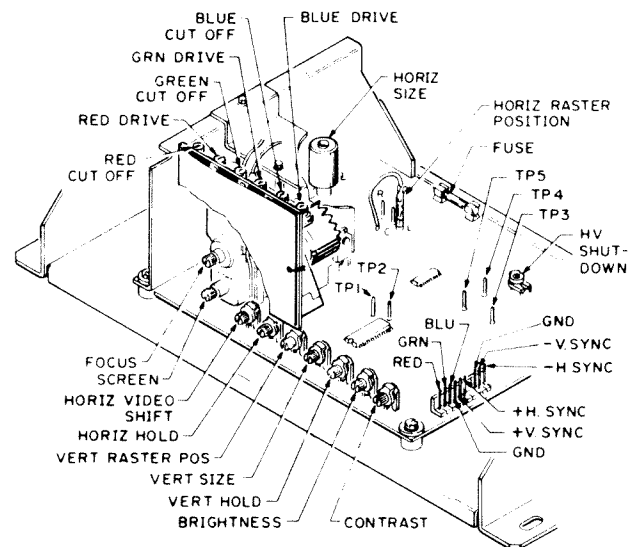
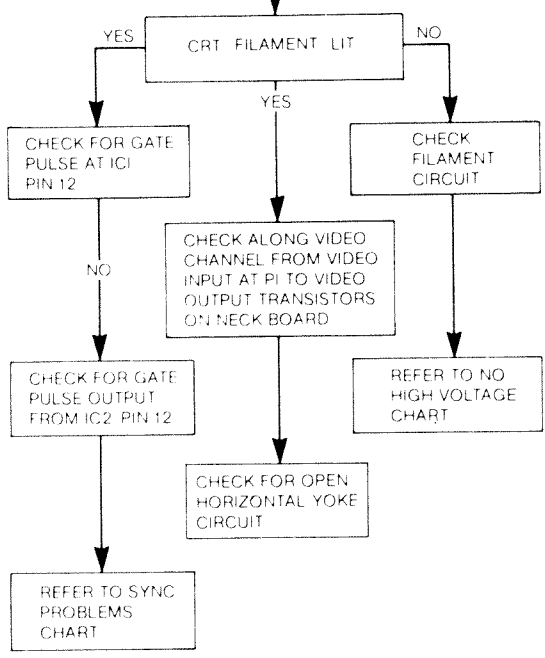


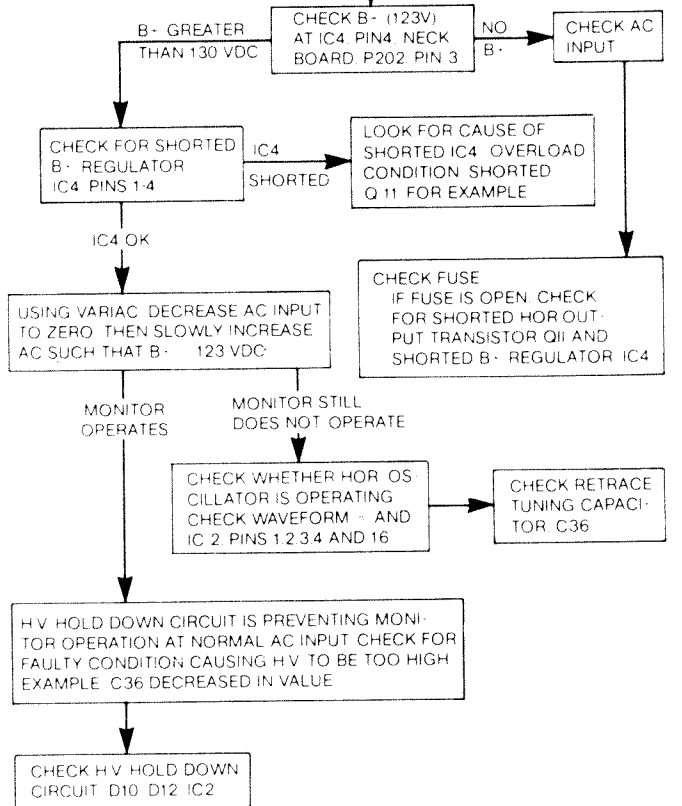
FIG. 1B

TROUBLESHOOTING CHART

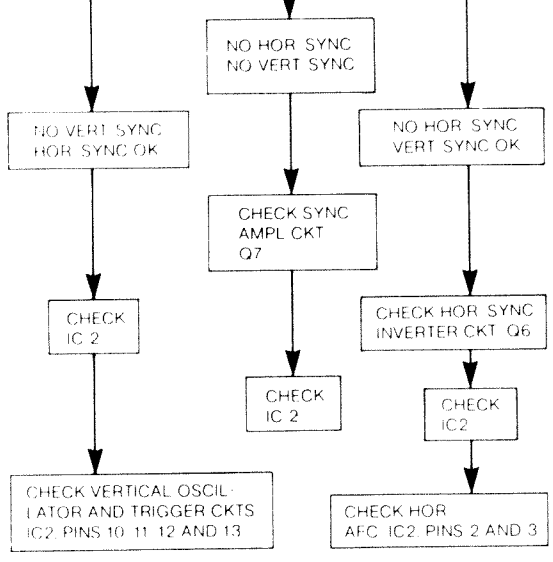
NO PICTURE SEE NOTE 4



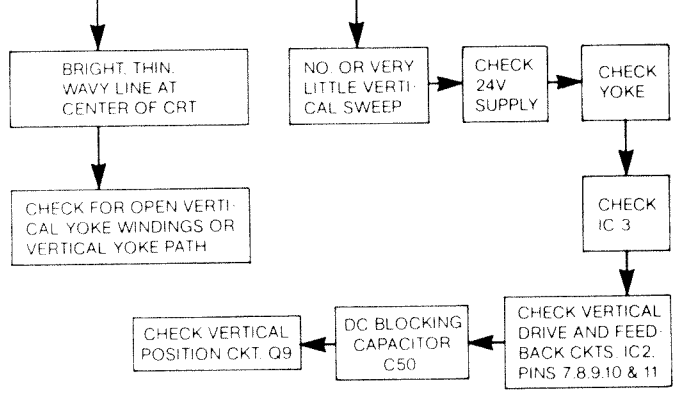
NO HIGH VOLTAGE



SYNC PROBLEMS SEE NOTE 8



VERTICAL SWEEP PROBLEMS SEE NOTE 8



VIDEO INTERFACE AND OUTPUT

The red, green, and blue video inputs come into the monitor at P1. Isolation and attenuation is provided by emitter followers Q1, Q2 and Q3. Forced blanking of the video signals is provided by the circuit of Q4, D5, D6, and D7. The forced blanking causes there to be an interruption in the video signal before it goes to the inputs of IC1. This interruption occurs between scan periods, while retrace is taking place; it is required by IC1. The forced blanking is not necessary for most video signals since they already have an interruption of video (blanking) between scan periods. Some do not; it is to accommodate such signals that the forced blanking circuit is included.

The red, green, and blue signals go into IC1 at pins 2, 4, and 6. Their levels are controlled by the gain of separate channels of the contrast amplifier. The gain is controlled by a DC voltage input to pin 11, which varies with the setting of the contrast control.

IC1 provides blanking of the video during retrace in response to blanking pulses at pin 13, derived from the horizontal and vertical sweep circuits. IC1 also requires a gating signal at pin 12 in order to provide red, green, and blue outputs at pins 21, 19, and 17. If the gating signal is not present, IC1 will not provide video output signals. The gating signal comes from IC2, pin 12 and is derived from horizontal sync.

The brightness is varied by varying the DC level of the outputs at pins 17, 19, and 21. This is accomplished by varying the DC voltage input to pin 14.

The video outputs from IC1 are provided via R30, R31, and R32 to the neck board where they are amplified by the video output stages Q201, Q202, and Q203 before being applied to the cathodes of the CRT through R10, R11, and R12.

SYNC

Sync is applied at P1 (positive sync) or at P2 (negative sync). Composite sync should be applied only to the horizontal sync input of the appropriate polarity. Positive sync is inverted by Q5 and Q6 then applied through D3, D4 and R51 to the sync amplifier Q7.

The sync amplifier output is applied through C22, R53, and R55 to pin 14 of IC2. Pin 14 is the sync separation input.

The sync separator extracts the horizontal and vertical sync from each other—providing horizontal sync to the horizontal AFC circuit in the IC. A composite sync output is provided at pin 12. This output signal is used for gating IC1 the video interface IC and for triggering the vertical oscillator.

HORIZONTAL OSCILLATOR AND OUTPUT

The horizontal AFC circuit of IC2 receives a horizontal sync input from the sync separator and a feedback signal at pin 1, derived from the horizontal output. Slight differences in frequency and phase of the two signals will cause the AFC to generate a correction voltage at pin 2.

The horizontal oscillator in IC2 has its free running frequency determined by the RC time constant of C19, R56, R57, R58, and VR2, the horizontal hold control. The horizontal hold control varies the horizontal frequency by varying the RC time constant. Slight correction in frequency is provided by a correction voltage at IC2, pin 3 which comes from pin 2 through R60.

The oscillator output at pin 4 is amplified and shaped by the horizontal drive stage Q10. The drive signal is then coupled to the base circuit of the horizontal output transistor Q11 by the horizontal drive transformer T2. T2 is used for impedance transformation to provide the Q11 base circuit with the low impedance source that it requires.

The horizontal output transistor Q11 is operated as a switch. It is either on or off. It is turned on and off at the scan rate which is determined by the horizontal oscillator frequency which is ultimately determined by the incoming horizontal sync frequency. A yoke current with a sawtooth waveform is needed to deflect the beam linearly across the CRT. The beam begins at the center of the CRT and is deflected from center to right. This center-to-right deflection occurs when Q11 is turned on. The deflection yoke coupling capacitor C38, also known as the S-shaping capacitor, begins to discharge through the yoke; the discharge current causes the beam to be deflected to the right CRT edge. At this time, Q11 is turned off, and the current provided by C38 stops. As the current falls to zero, a voltage is induced across the yoke windings as the magnetic field collapses; an oscillation is produced by the yoke windings and C36, the retrace tuning capacitor. During the first half cycle of oscillation, the induced voltage is impressed on the collector of Q11, C36, and the primary of the flyback transformer T1. This induced voltage is stepped up by the flyback transformer's secondary winding. This high voltage is then rectified and applied to the high voltage anode of the CRT. When this induced voltage occurs, the electron beam is deflected from the right edge of the CRT face to the left edge. This is called retrace. During the second half cycle of the oscillation (of C36 and the yoke windings), the voltage at the Q11 collector tries to go negative or below ground. When this happens, the damper diode (include in same package with Q11) becomes forward biased. The conduction of the damper diode allows energy stored in the horizontal system to decay linearly to zero, thus allowing the beam to return to the center of the CRT face.

The focus voltage and the screen, G2, voltage are obtained from the anode voltage with a resistor divider network within the T1 assembly. An auxiliary winding (pin 10) provides feedback to the horizontal AFC through R71, R70, and C29. This signal is also used to furnish the horizontal blanking input to IC1 via C28, R69, and R68. The signal from the auxiliary winding at pin 5 of T1 is rectified by D14 and filtered to provide the +12VDC supply for the video interface and sync circuits. The auxiliary winding of pins 3 and 4 produces a signal which is rectified by D13 and filtered to produce the +24VDC supply for the vertical output circuit.

The horizontal linearity coil L2 is a magnetically biased coil which shapes the yoke current for optimum linearity. The horizontal size coil L1 is a variable series inductor which is used to vary the horizontal size of the display.

HIGH VOLTAGE HOLD-DOWN CIRCUIT

The high voltage hold down circuit is part of the main PC board P447 of this monitor. The +12V DC supply is sensed via D10. Since the +12V DC supply is flyback pulse derived, the +12V DC supply will rise as the high voltage rises. If the +12V DC exceeds a threshold which is set with VR8, then D12 will conduct, thereby providing drive to IC2, pin 5—hold-down input of deflection oscillator IC. The drive being applied to pin 5 causes the horizontal oscillator within the IC to shut down—thus preventing the generation of high voltage.

The horizontal oscillator will remain in its OFF state, even if the input to IC2, pin 5 is removed, unless and until AC power is removed from the monitor input. The power may then be reapplied.

VERTICAL OSCILLATOR AND OUTPUT

The composite sync output of IC2, pin 12 is filtered through the network of R65, C25, C24 and R66 so that only vertical sync is applied to the vertical trigger input at pin 11. The vertical oscillator frequency is controlled by the vertical hold control and its input to pin 10.

The vertical drive output at IC2, pin 7 is applied to pin 4 of IC3, the vertical output IC. Output current from IC3, pin 2 flows through the yoke to cause vertical deflection. During upward deflection, current flows out of pin 2, through the yoke, and into C50 to charge it. Downward deflection is caused by C50 discharging through the yoke in the opposite direction and back into IC3, pin 2. AC feedback is provided through the wiper of the vertical size control VR4 to IC2, pin 8 in order to control the drive amplitude. DC feedback at IC2, pin 9 maintains good vertical linearity at all sizes.

DC current from the +24V supply flows through R83 and through the yoke to provide downward raster shift. Some of this DC current is diverted from the yoke through the collector of Q9. The amount of this current which is diverted from the yoke can be varied by varying the base drive to Q9 by adjusting VR3, the vertical position control, thus providing manual adjustment of the vertical position of the display.

The drive signal at IC3, pin 2 is also used to furnish the vertical blanking input to IC1, pin 13 via R63 and C14.

AUTOMATIC DEGAUSSING ADG

The ADG circuit automatically demagnetizes the CRT. This circuit is activated only when the monitor is initially powered up after having been off for at least 20 minutes.

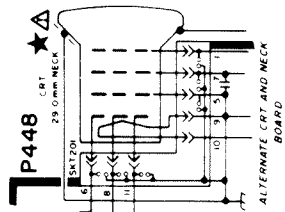
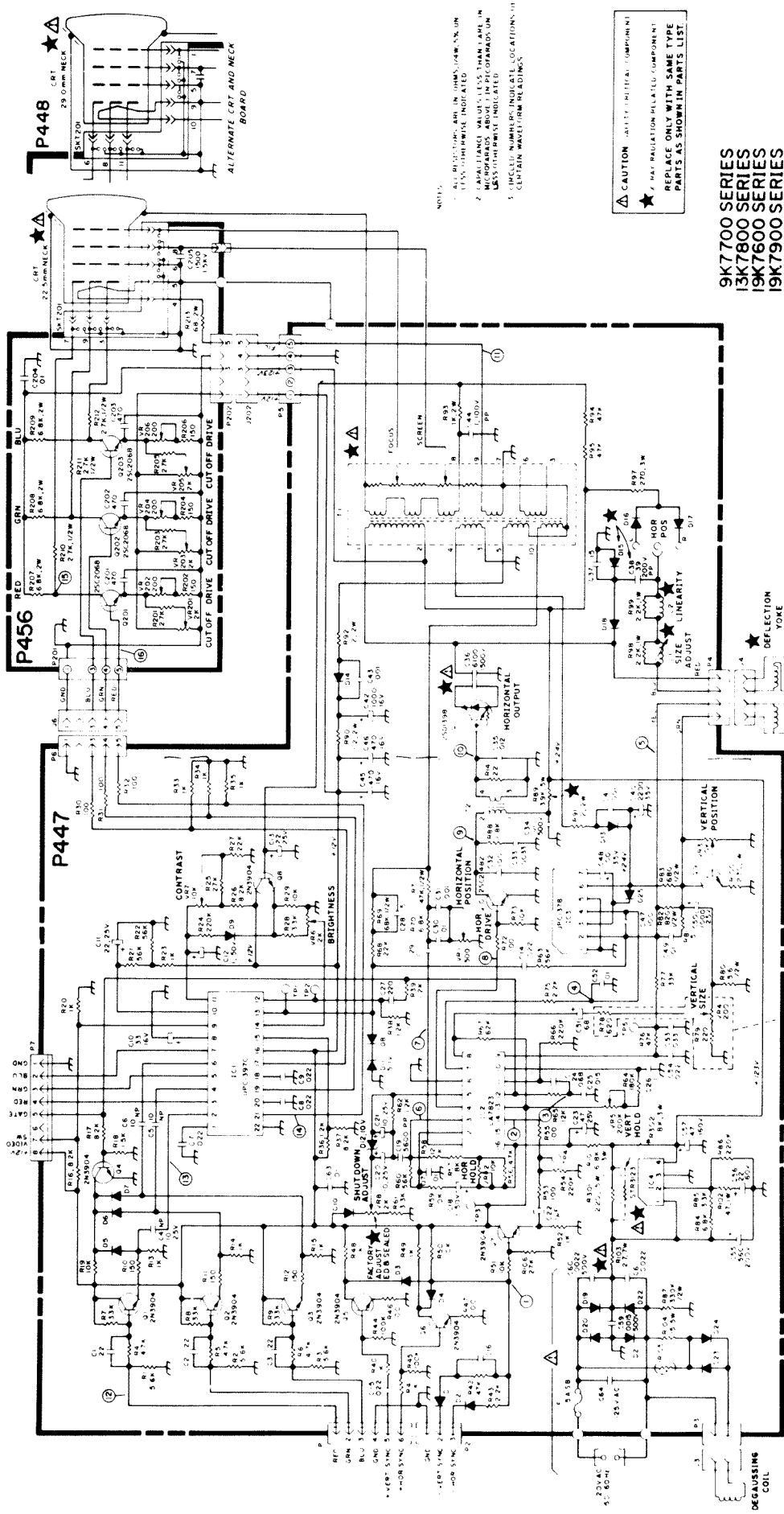
R105 is a positive temperature coefficient device. When it is cold, it has a very low resistance. As it gets warm, its resistance increases. If the monitor is cold when AC power is applied, then R105 with a low resistance allows current to pass through it, D23, D24, and the degaussing coil. As current flows through R105, it heats up and eventually has a very high resistance, allowing very little current to flow through it. The residual current now flowing through R105 produces a voltage drop across R104 of less than 0.6 volts. This is not enough to forward bias D23 and D24, so there is no current through the degaussing coil.

The process of initially having a large current through the degaussing coil and then having the current decay to zero is what produces the degaussing action. The degaussing current decays to zero before the CRT warms up, so the degaussing is completed before the picture comes on.





WWW.HARD-CANDY.COM 硬 Candy 8-1 k7000 COLOR MONITOR SCHEMATIC DIAGRAM



NOTE:
 1. ALL RESISTORS ARE IN OHMS UNLESS OTHERWISE INDICATED.
 2. CAPACITANCE VALUES LESS THAN 1000 PICO FARADS ABOVE 1 IN MICROFARADS ABOVE 1 IN MICROFARADS UNLESS OTHERWISE INDICATED.
 3. CAPACITOR NUMBERS INDICATE LOCATION IN CHASSIS UNLESS OTHERWISE INDICATED.

CAUTION: (WAVE) SYMBOL COMPONENT
 * MAX RADIATION RELATED COMPONENT
 REPLACE ONLY WITH SAME TYPE PARTS AS SHOWN IN PARTS LIST

9K7700 SERIES
 13K7800 SERIES
 19K7600 SERIES
 19K7900 SERIES

NOTE:
 SEE LIST OF OTHER SCHEMATIC DIAGRAMS FOR CERTAIN UNIQUE MODELS

*R152 IS PRESENT ONLY ON 9K7700, 13K7800, 19K7600, 19K7900
 ALTERNATE CIRCUIT FOR LATER PRODUCTION



ハード キャンディ
WWW.HARD--CANDY.COM

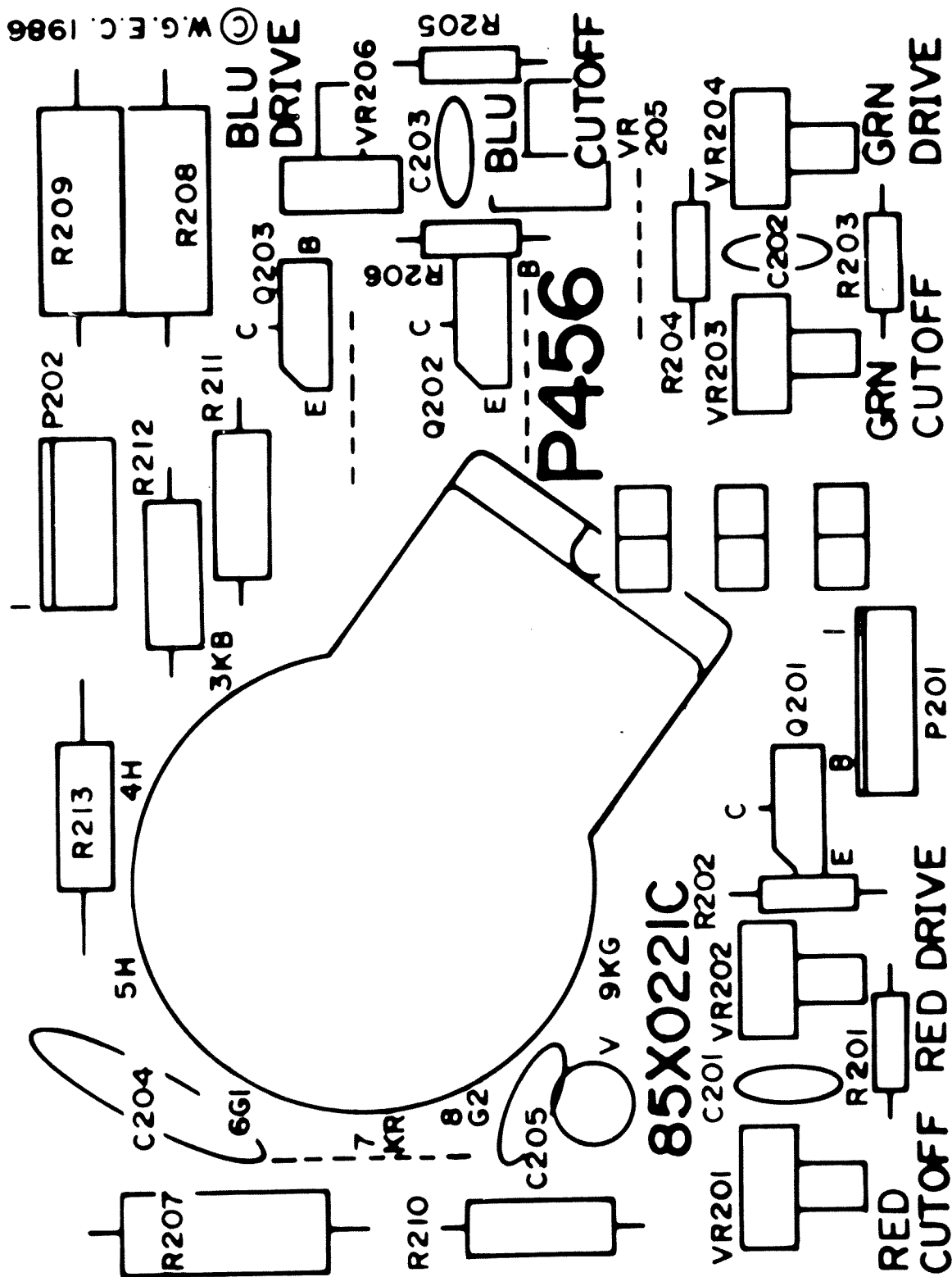


FIG. 12

PC BOARD LAYOUT P448



ハード WWW.HARD-CANDY.COM キャンディ

© W.G.E.C. 1986

85X0217B

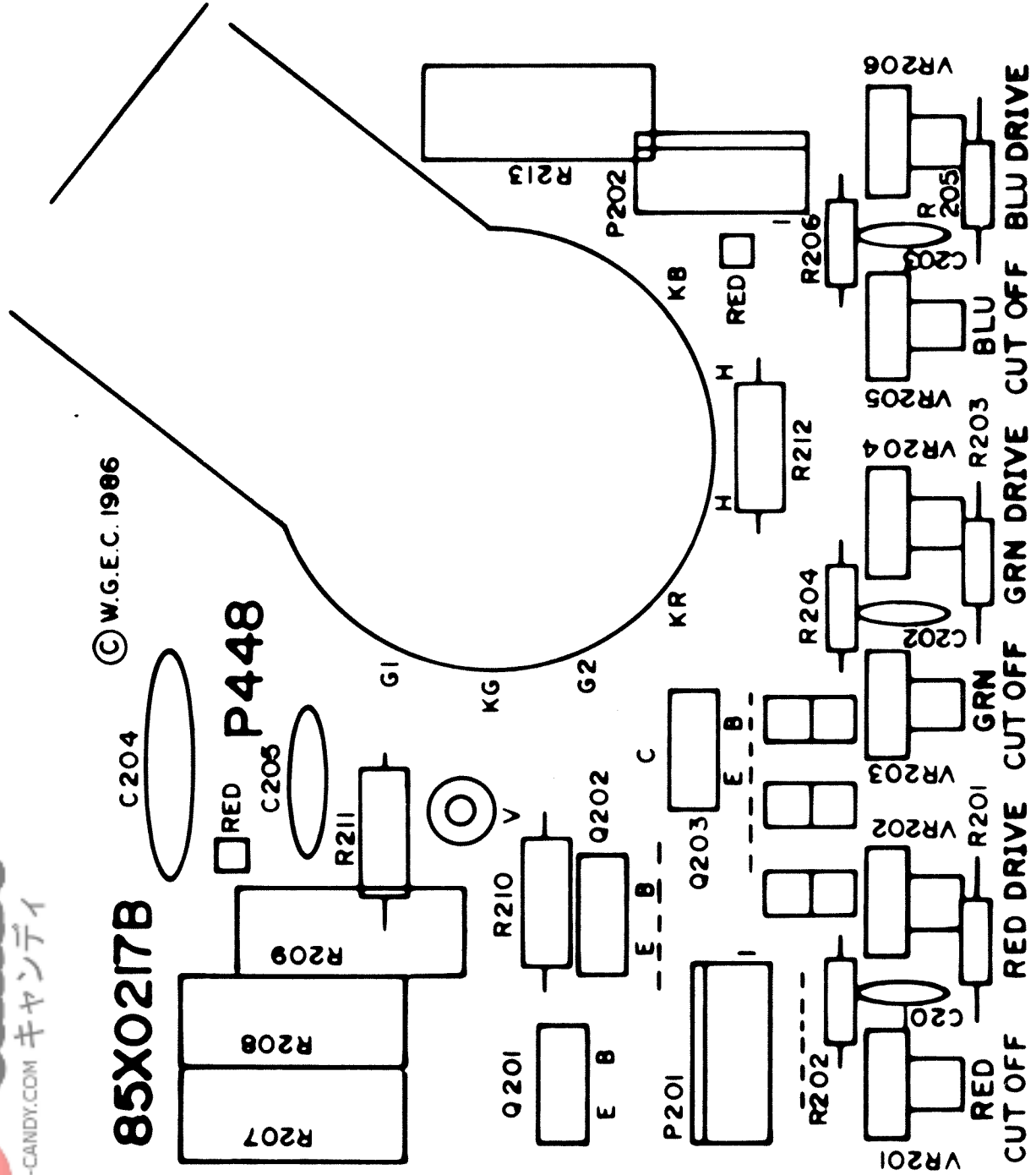


FIG. 13

VIEW OF COMPONENT SIDE

MAIN PC BOARD LAYOUT

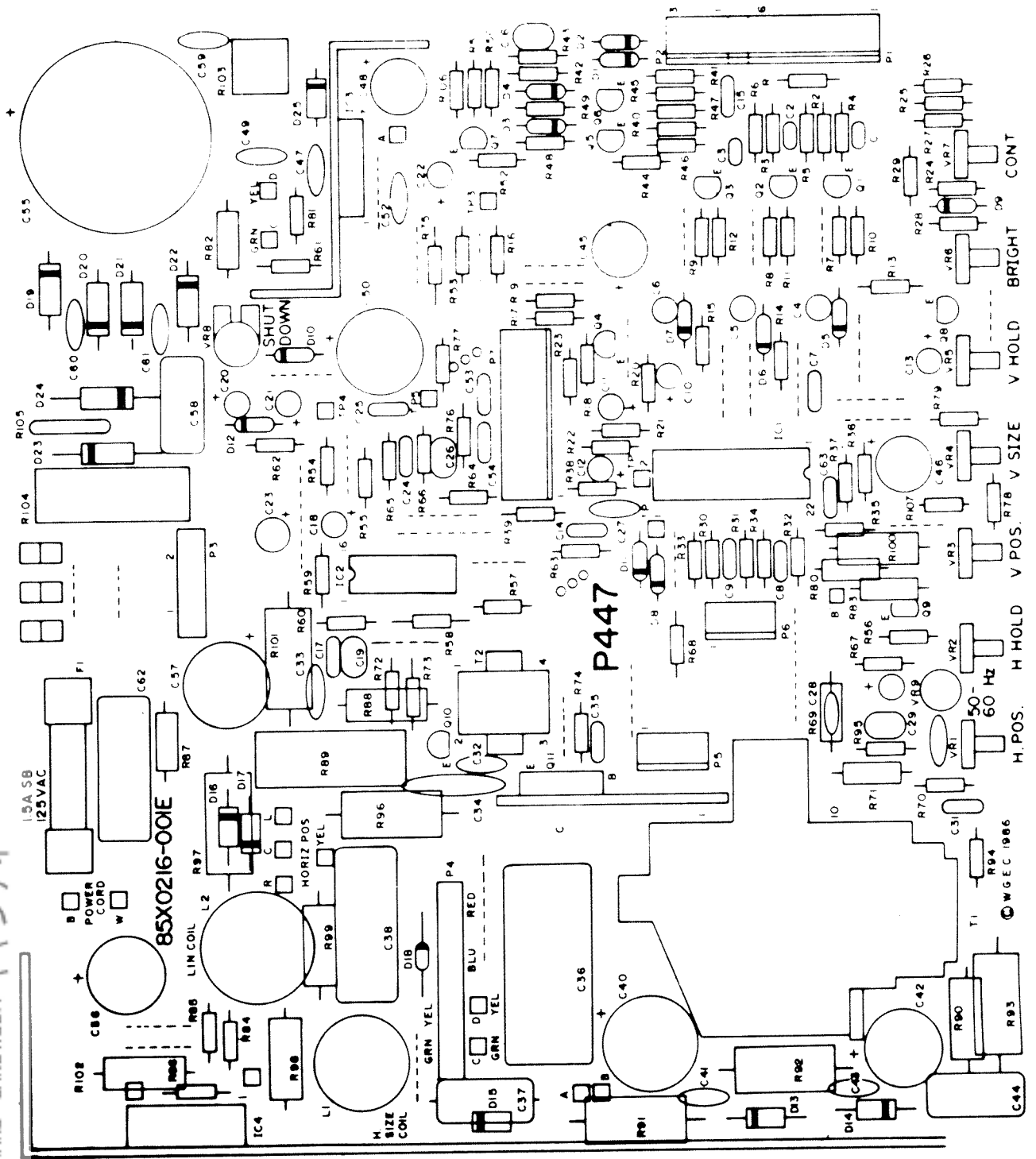


FIG. 14

FRONT CONTROL BOARD P485

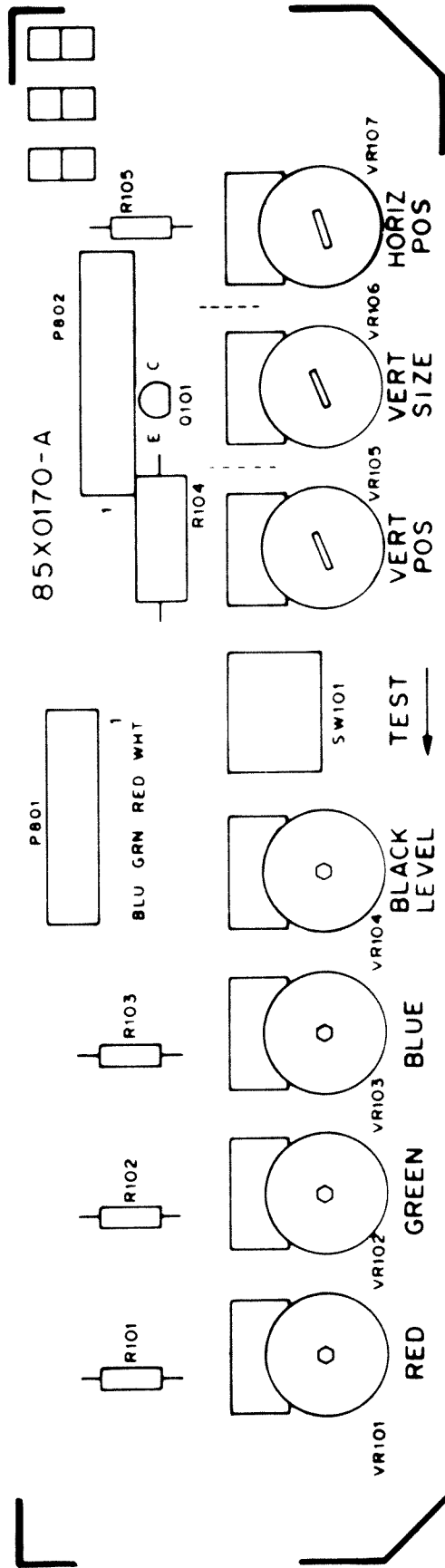


FIG. 15

GHOULS'N GHOSTS

• DESCRIPTION

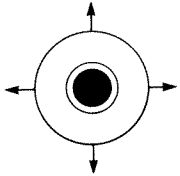
— PC. BOARD CONNECTOR

JAMMA STANDARD

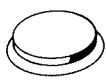
CRT MONITOR

HORIZONTAL SCREEN

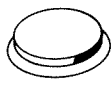
— CONTROL PANEL



4 WAY JOYSTICK



FIRE

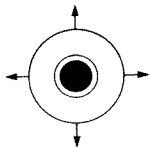


JUMP

— 4 WAY JOYSTICK

- CLIMB UP LADDER
- UPWARDS FIRE WITH FIRE BUTTON

MOVE TO THE LEFT



MOVE TO THE RIGHT

- DESCEND THE LADDER
- DOWNWARDS FIRE WITH JUMP/FIRE BUTTONS
- CROUCH

— CREDIT LIMITATIONS AT ONE TIME: 9 CREDITS

— POSITION OF DIP SWITCH

A 1 - 6 ← DIP SW (A)

B 1 - 8 ← DIP SW (B)

C 1 - 8 ← DIP SW (C)

VOLUME CONTROL



JAMMA

GND	A	1	GND
GND	B	2	GND
+5V	C	3	+5V
+5V	D	4	+5V
NOT USED	E	5	NOT USED
+12V	F	6	+12V
	H	7	
COIN COUNTER 2	J	8	COIN COUNTER 1
NOT USED	K	9	NOT USED
SP (-)	L	10	SP (+)
NOT USED	M	11	NOT USED
VIDEO GREEN	N	12	VIDEO RED
VIDEO SYNC	P	13	VIDEO BLUE
SERVICE SW	R	14	VIDEO GND
	S	15	TEST SW
COIN SW 2	t	16	COIN SW 1
START SW 2	U	17	START SW 1
2P UP	V	18	1P UP
2P DOWN	W	19	1P DOWN
2P LEFT	X	20	1P LEFT
2P RIGHT	Y	21	1P RIGHT
2P FIRE BUTTON	Z	22	1P FIRE BUTTON
2P JUMP BUTTON	a	23	1P JUMP BUTTON
NOT USED	b	24	NOT USED
NOT USED	c	25	NOT USED
NOT USED	d	26	NOT USED
GND	e	27	GND
GND	f	28	GND

LIMITED WARRANTY

CAPCOM, USA, INC. ("Seller"), warrants only to the initial purchaser of its products that the items listed below are free from defects in material and workmanship under normal use and service for the warranty periods specified:

- A. Printed circuit boards (90) days
- B. Television monitor (30) days

No other parts of Seller's products are warranted.

Warranty periods are effective from the initial date of shipment from Seller to its authorized distributors.

Seller's sole liability shall be, at its option, to repair or replace products which are returned to Seller during the warranty periods specified, provided:

- A. Seller is notified promptly upon discovery by buyer that stated products are defective.
- B. Such products are properly packaged and then returned, prepaid to Seller's plant.

This warranty does not apply to any parts damaged during shipping or handling, or due to improper installation or usage, or alteration. In no event shall Seller be liable for any anticipated profits, loss of profits, loss of use, incidental or consequential damages or any other losses incurred by the customer in connection with the purchase of a CAPCOM USA, Inc. product.

(WARRANTY DISCLAIMER)

EXCEPT AS SPECIFICALLY PROVIDED IN A WRITTEN CONTRACT BETWEEN SELLER AND PURCHASER, THERE ARE NO OTHER WARRANTIES, EXPRESSED OR IMPLIED, INCLUDING ANY IMPLIED WARRANTIES OF MERCHANTABILITY OR FITNESS FOR A PARTICULAR PURPOSE.



WARNING

Federal law provides severe civil and criminal penalties for the unauthorized reproduction, distribution, or exhibition of copyrighted audiovisual works and video games.

The Federal Bureau of Investigation investigates allegations of criminal copyright infringement.





CAPCOM USA
3303 Scott Blvd.
Santa Clara, CA 95054